

FIGURE A

1997 Revision

©1995 Accelerated Christian Education, Inc.

All rights reserved. Printed in the United States of America.  
 This publication may not be reproduced in whole or in part  
 in any form or by any means without permission from  
 Accelerated Christian Education, Inc.

ACCELERATED CHRISTIAN EDUCATION  
 LEARNING CENTER LAYOUT  
 ILLUSTRATIONS

DWG. NO. 0001	REV. 970514-1	SHEET 1 OF 2
------------------	------------------	-----------------

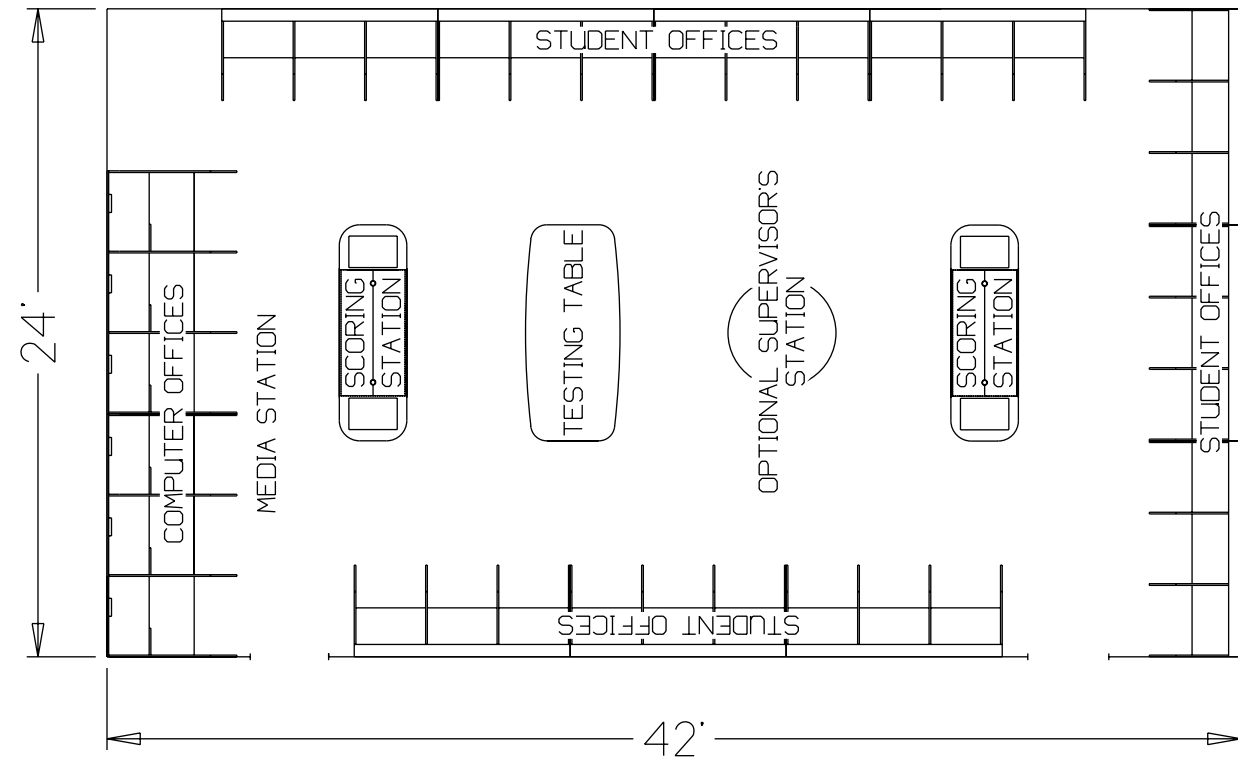


FIGURE C

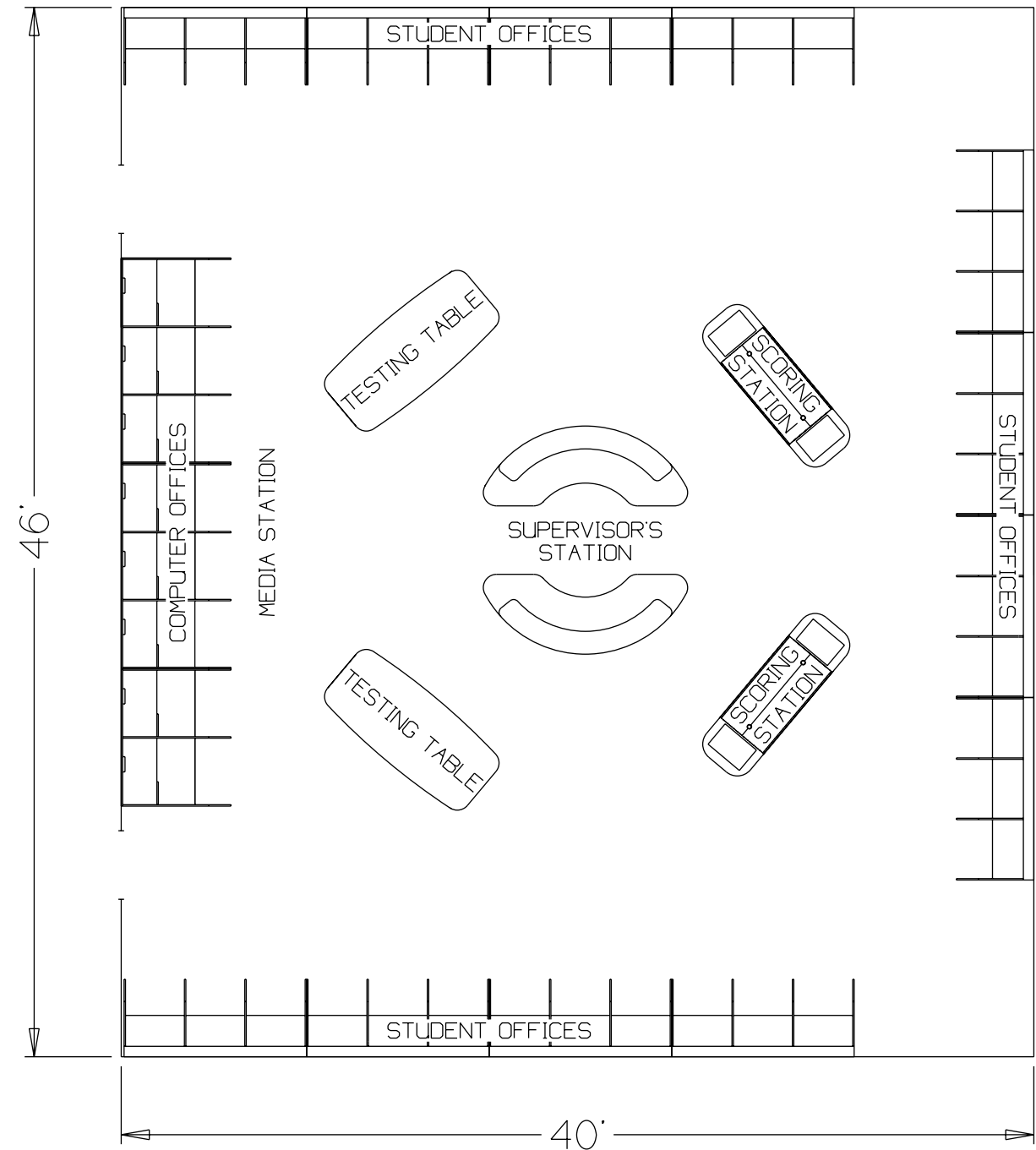


FIGURE B

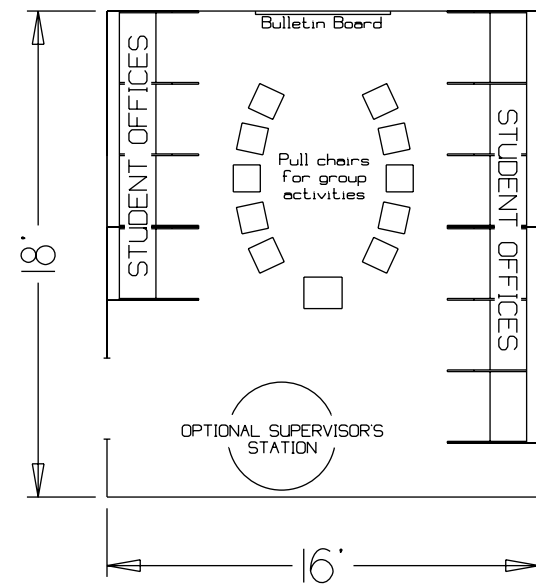


FIGURE D

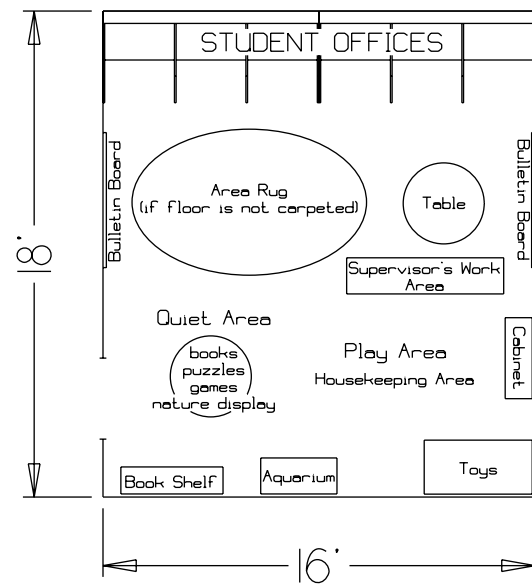


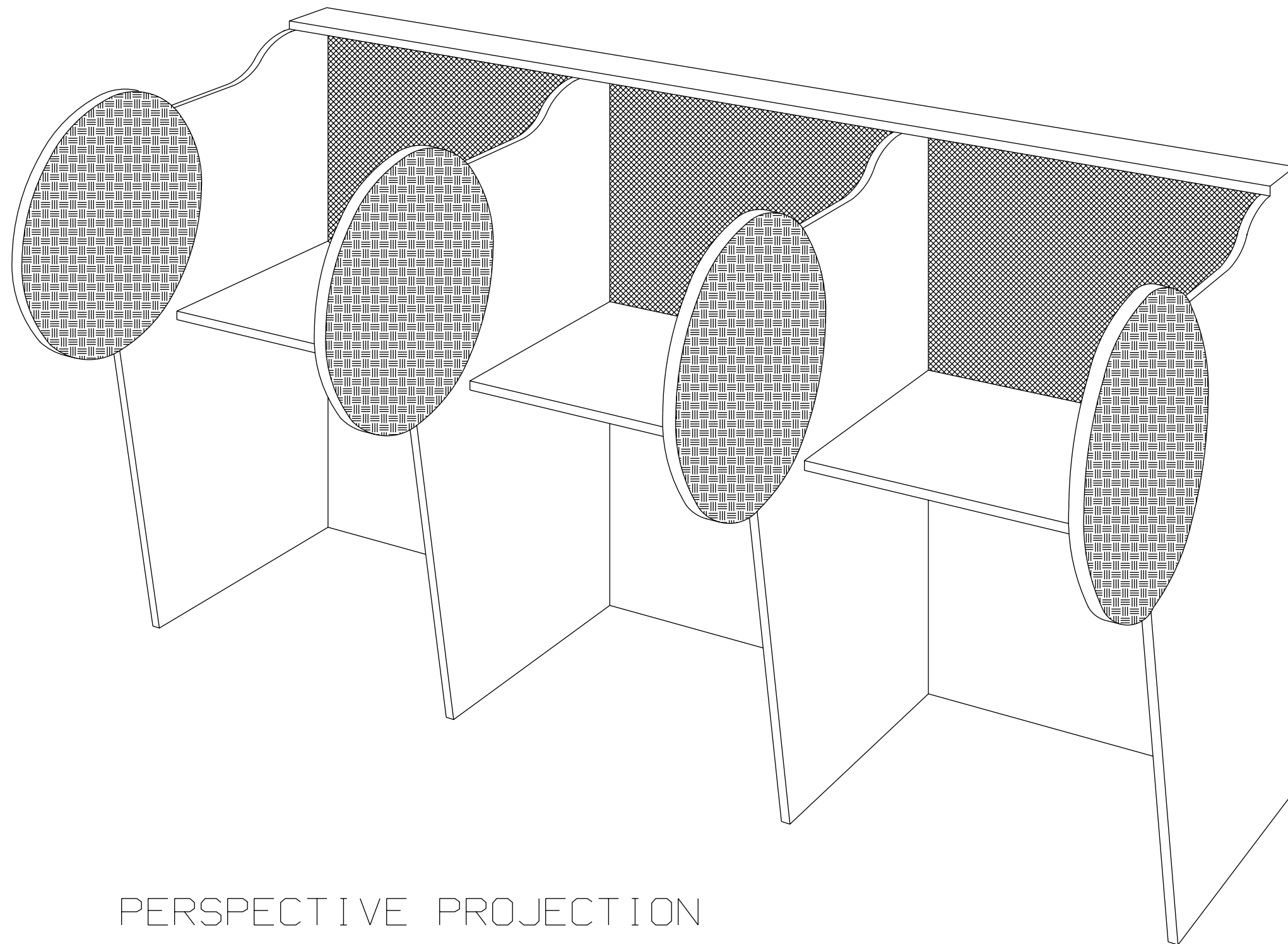
FIGURE E

**1997 Revision**  
 ©1995 Accelerated Christian Education, Inc.  
 All rights reserved. Printed in the United States of America.  
 This publication may not be reproduced in whole or in part  
 in any form or by any means without permission from  
 Accelerated Christian Education, Inc.

---

**ACCELERATED CHRISTIAN EDUCATION**  
 LEARNING CENTER LAYOUT  
 ILLUSTRATIONS

DWG. NO. 0001	REV. 970514-2	SHEET 2 OF 2
------------------	------------------	-----------------



PERSPECTIVE PROJECTION

© 1995 Accelerated Christian Education, Inc.

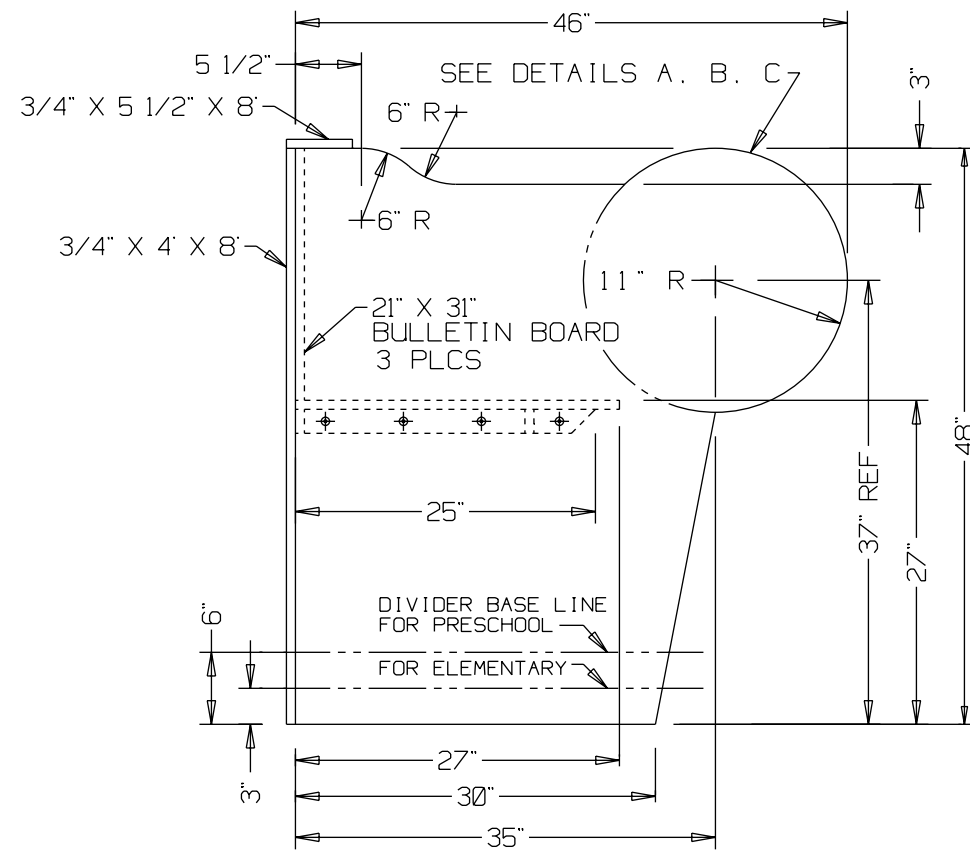
All rights reserved. Printed in the United States of America.  
This publication may not be reproduced in whole or in part  
in any form or by any means without permission from  
Accelerated Christian Education, Inc.

ACCELERATED CHRISTIAN EDUCATION  
STUDENT OFFICE

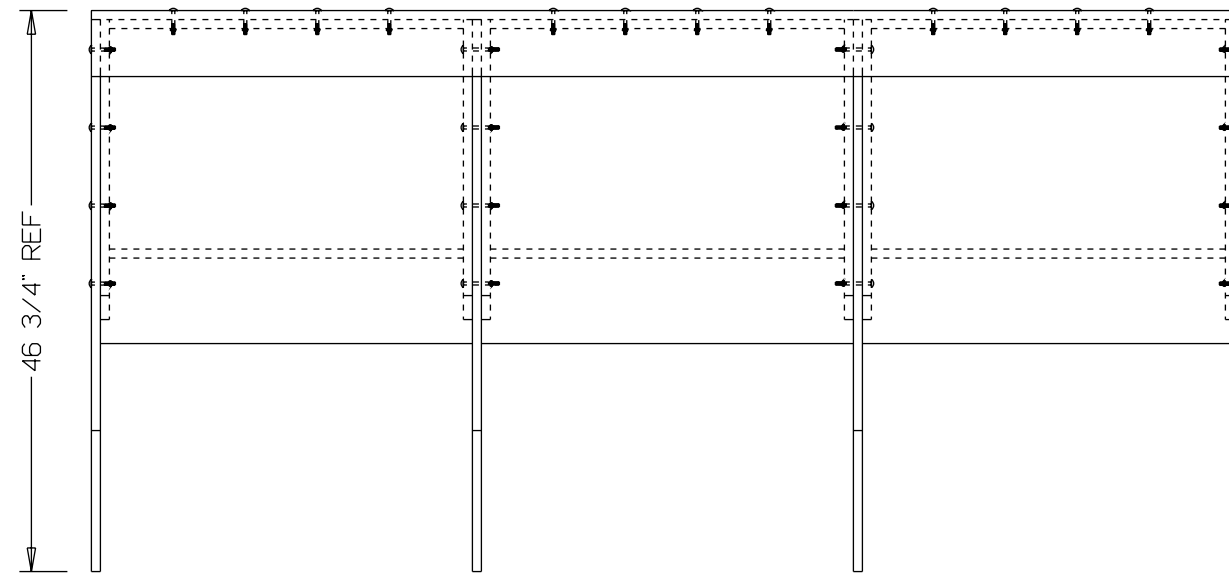
DWG. NO. 0003	REV. 950424-0	SHEET 1 OF 3
------------------	------------------	-----------------

NOTES: UNLESS OTHERWISE SPECIFIED,  
FASTEN ALL PARTS WITH  
1 1/4" DRYWALL SCREWS

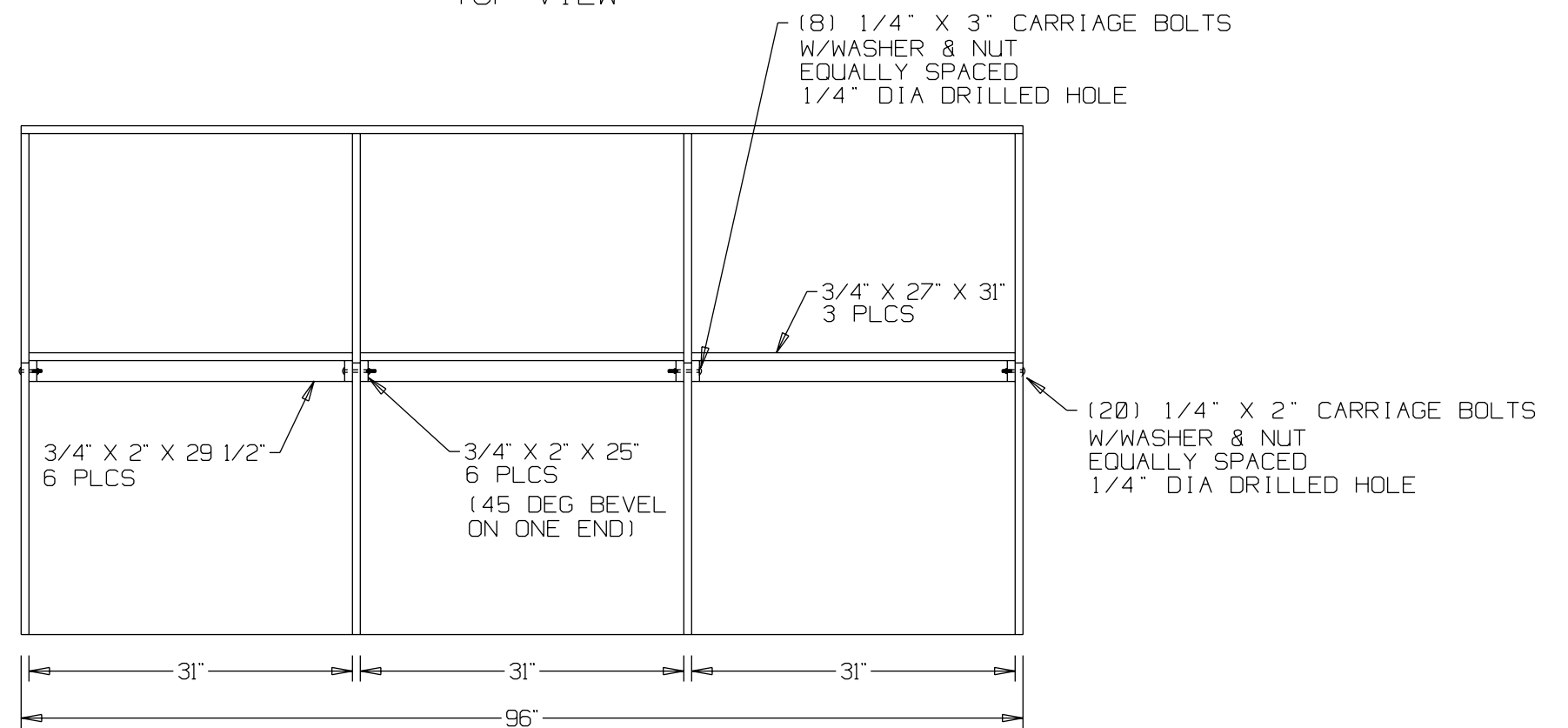
MULTIPURPOSE GLUE SUCH AS  
LIQUID NAILS® MAY BE USED ON  
ALL JOINTS IF OFFICE WILL  
BE PERMANENT



SIDE VIEW



TOP VIEW



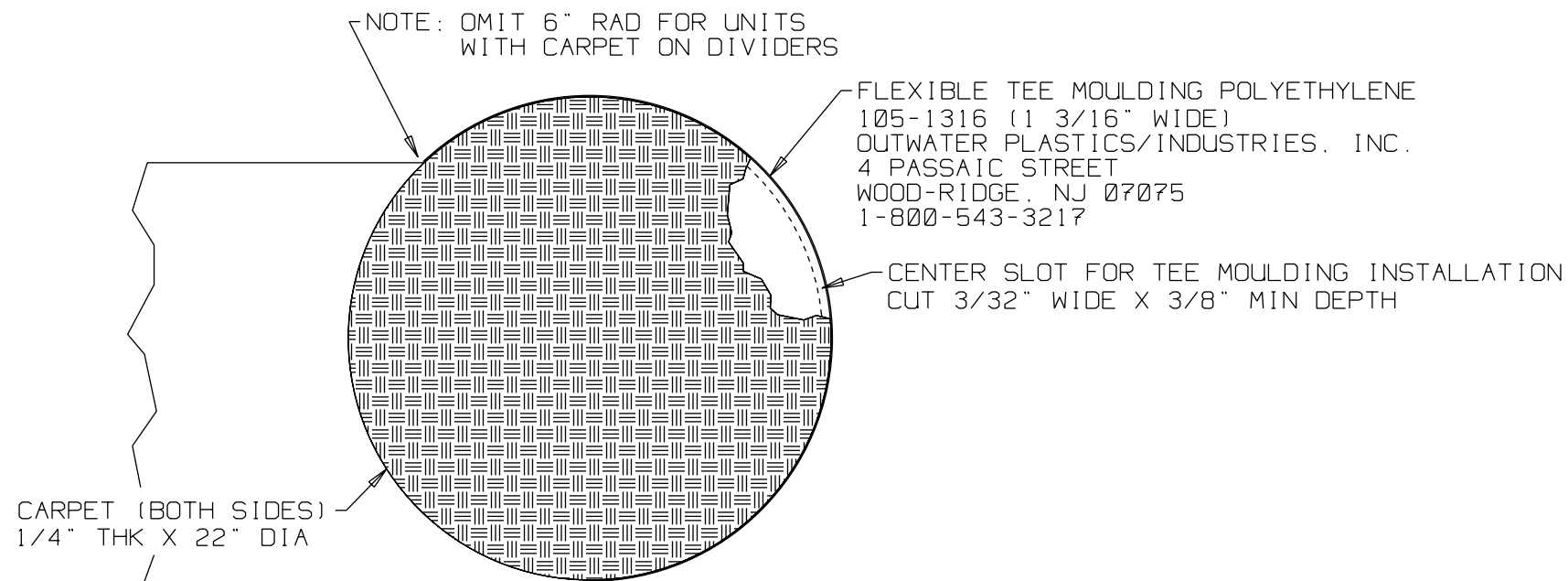
FRONT VIEW

© 1995 Accelerated Christian Education, Inc.  
All rights reserved. Printed in the United States of America.  
This publication may not be reproduced in whole or in part  
in any form or by any means without permission from  
Accelerated Christian Education, Inc.

**ACCELERATED CHRISTIAN EDUCATION**  
**STUDENT OFFICE**

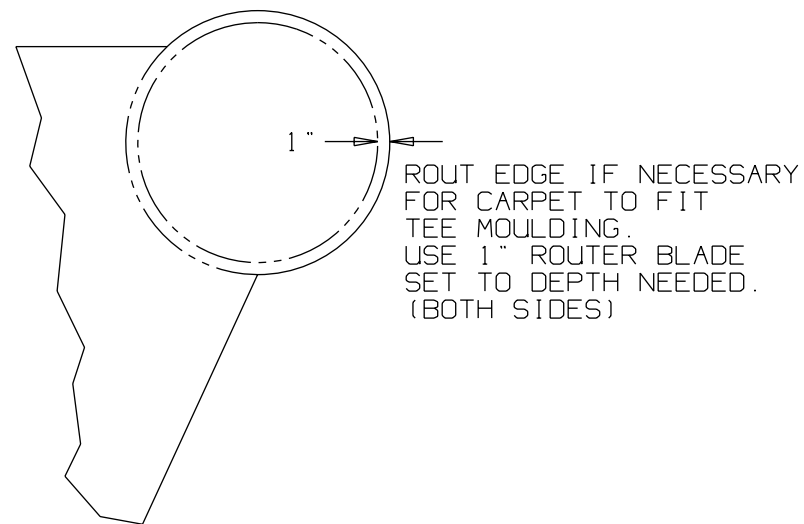
DWG. NO. 0003	REV. 950316-0	SHEET 2 OF 3
------------------	------------------	-----------------





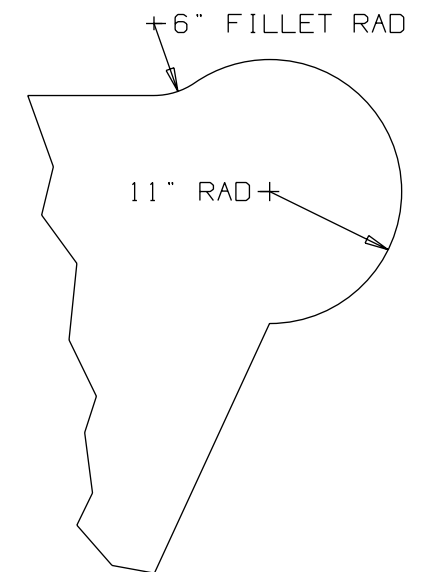
NOTE: USE MULTIPURPOSE GLUE SUCH AS LIQUID NAILS® TO BOND CARPET & MOULDING

DETAIL A



DETAIL B

OPTIONAL DIVIDER WITHOUT CARPET

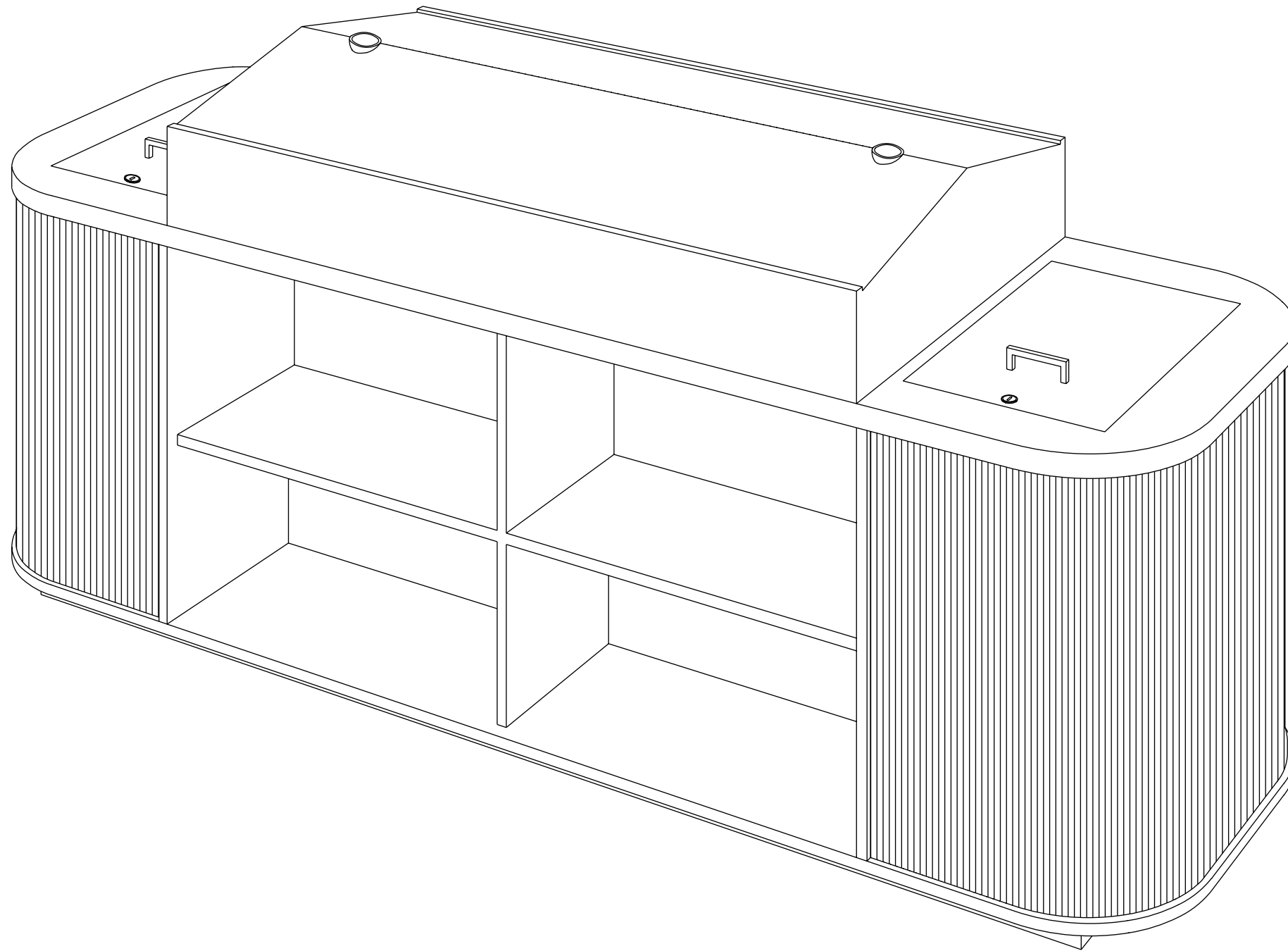


DETAIL C

© 1995 Accelerated Christian Education, Inc.  
All rights reserved. Printed in the United States of America.  
This publication may not be reproduced in whole or in part in any form or by any means without permission from Accelerated Christian Education, Inc.

ACCELERATED CHRISTIAN EDUCATION  
STUDENT OFFICE  
DETAIL DRAWINGS

DWG. NO. 0003	REV. 950331-0	SHEET 3 OF 3
------------------	------------------	-----------------



PERSPECTIVE PROJECTION

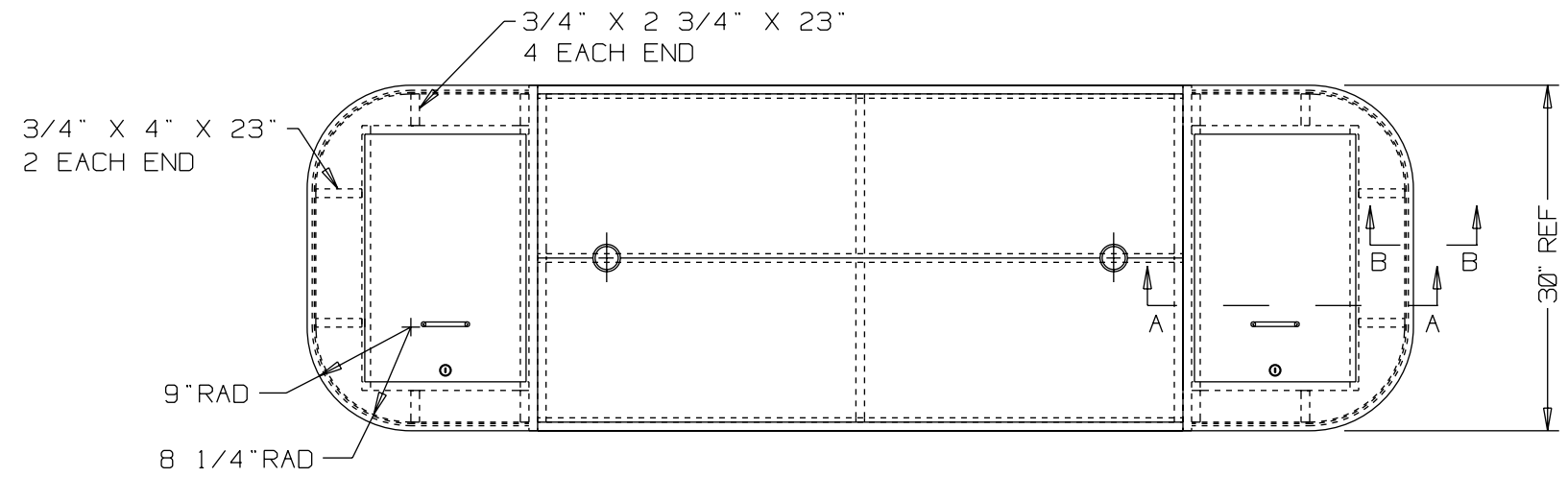
© 1995 Accelerated Christian Education, Inc.  
All rights reserved. Printed in the United States of America.  
This publication may not be reproduced in whole or in part  
in any form or by any means without permission from  
Accelerated Christian Education, Inc.

ACCELERATED CHRISTIAN EDUCATION  
SCORING STATION

DWG. NO. 0004	REV. 950316-0	SHEET 1 OF 5
------------------	------------------	-----------------

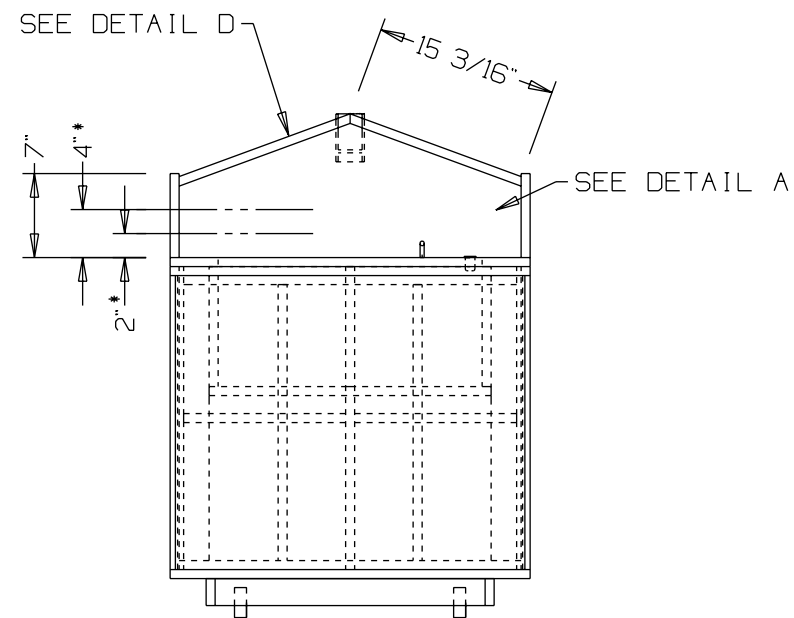
NOTES: UNLESS OTHERWISE SPECIFIED,  
FASTEN ALL PARTS WITH  
1 1/4" DRYWALL SCREWS

MULTIPURPOSE GLUE SUCH AS  
LIQUID NAILS® MAY BE USED ON  
ALL JOINTS

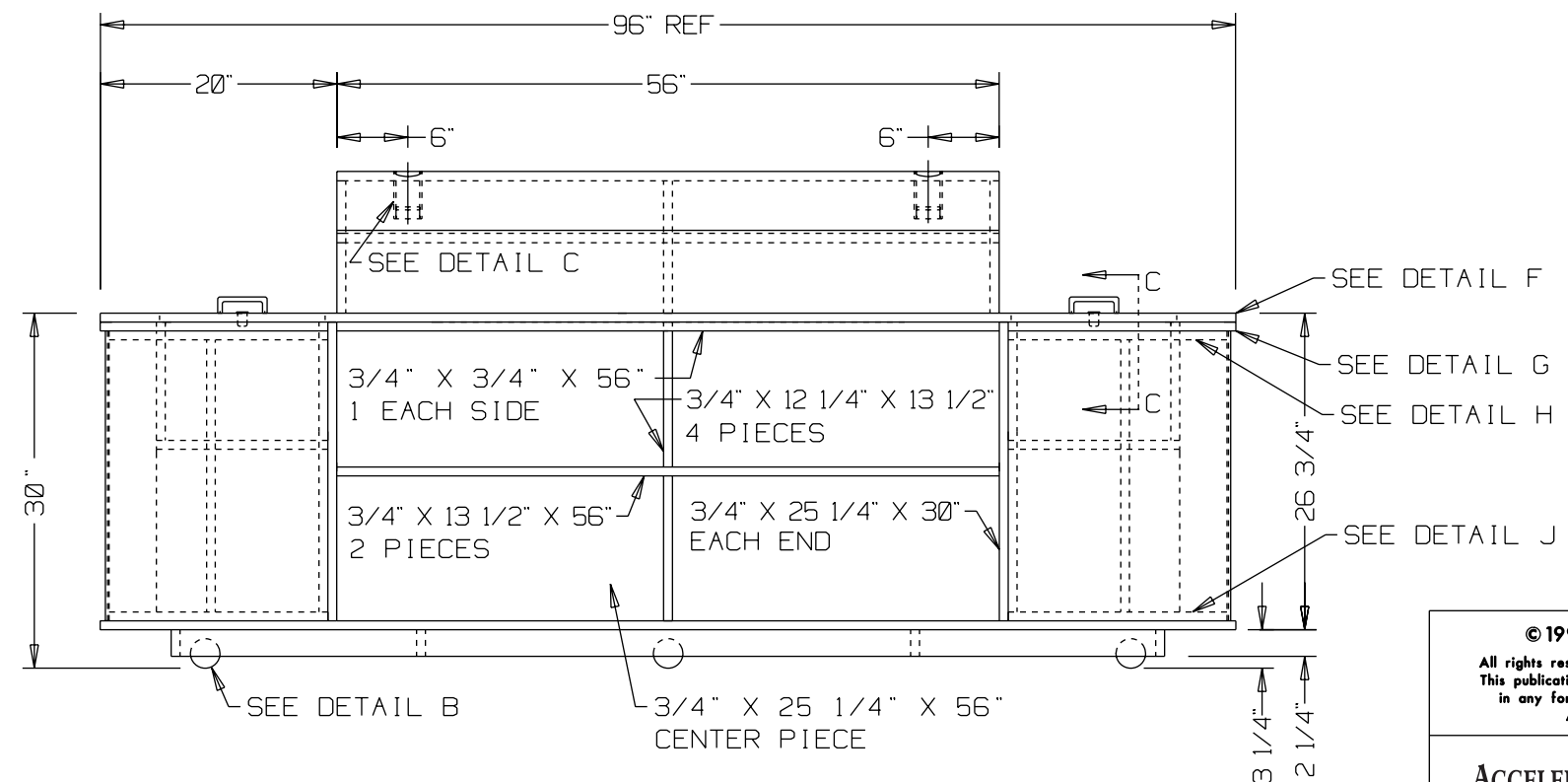


TOP VIEW

\* OPTIONAL DIMENSIONS  
FOR SHORTER SCORING STATION

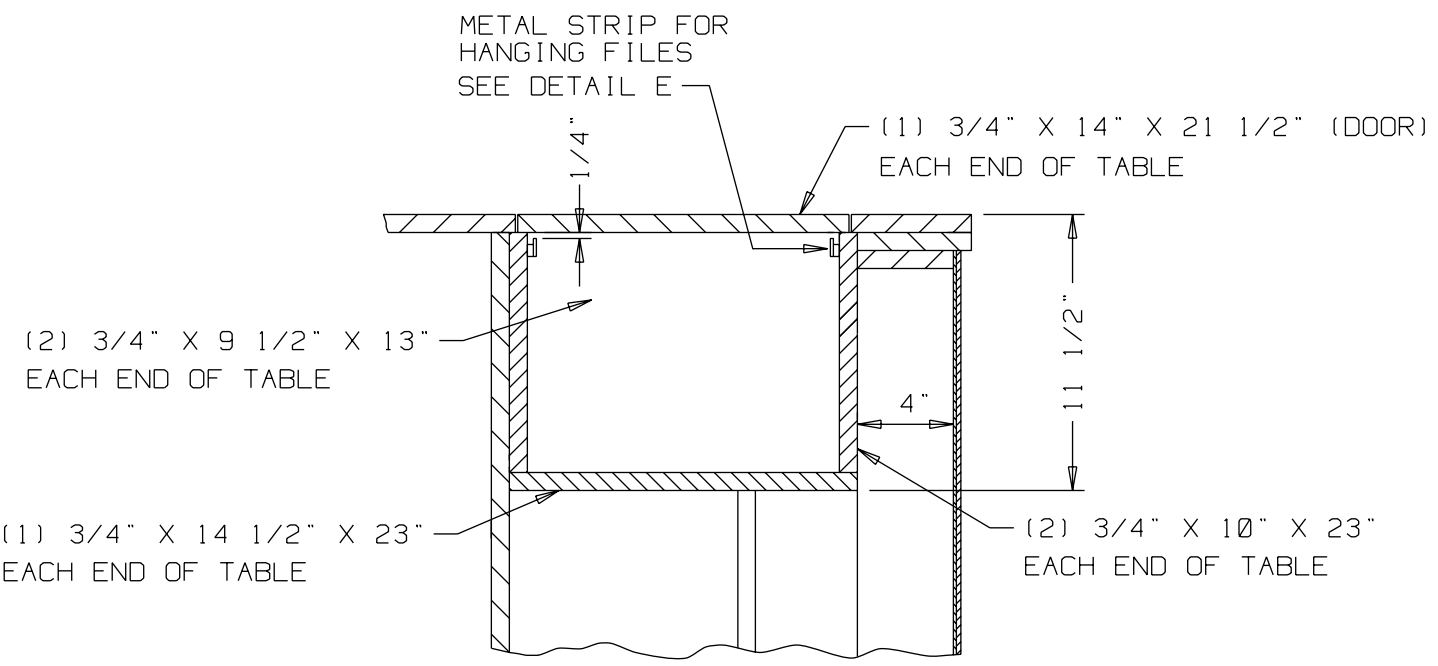


END VIEW

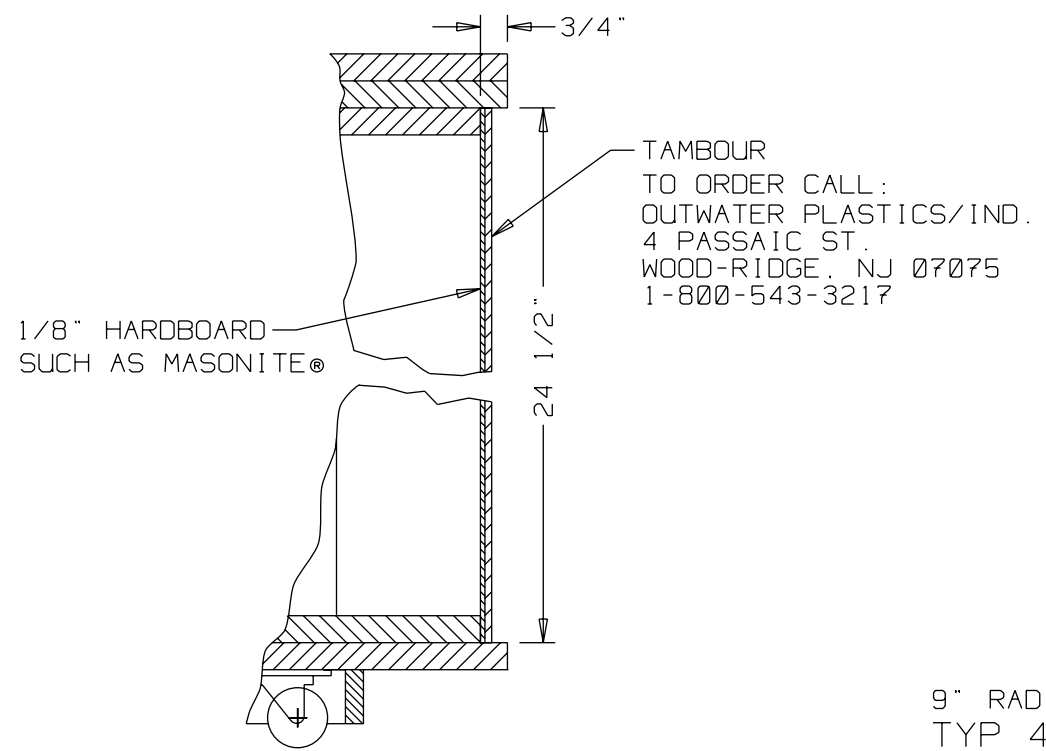


SIDE VIEW

© 1995 Accelerated Christian Education, Inc. All rights reserved. Printed in the United States of America. This publication may not be reproduced in whole or in part in any form or by any means without permission from Accelerated Christian Education, Inc.		
<b>ACCELERATED CHRISTIAN EDUCATION SCORING STATION</b>		
DWG. NO. 0004	REV. 950316-0	SHEET 2 OF 5

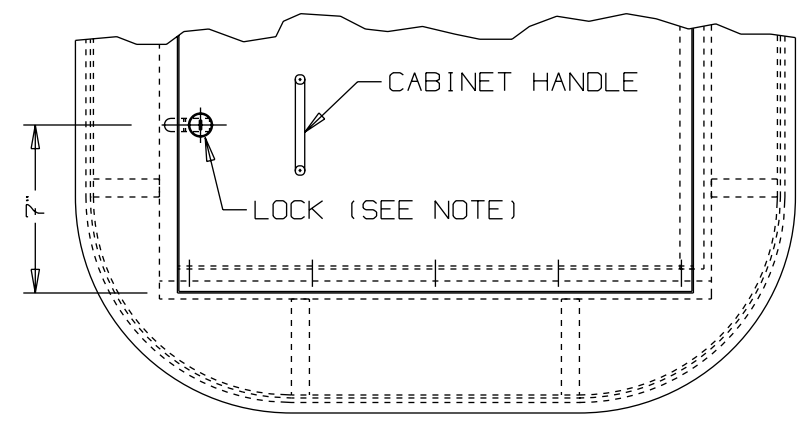


SECTION A-A

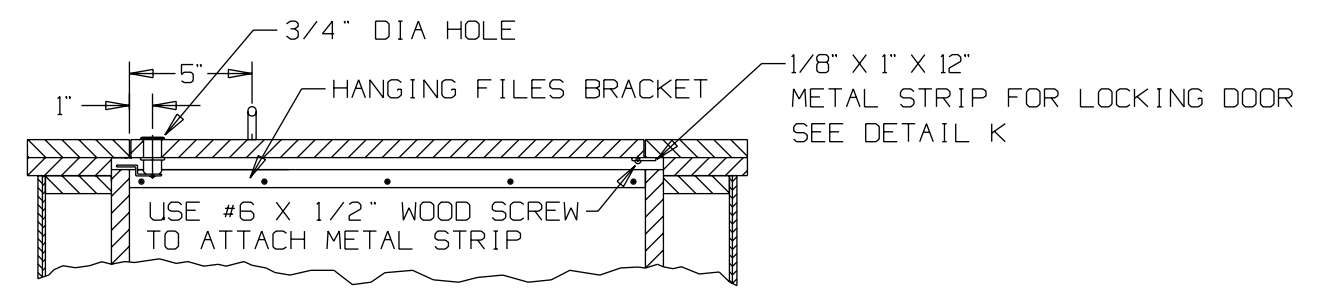


SECTION B-B

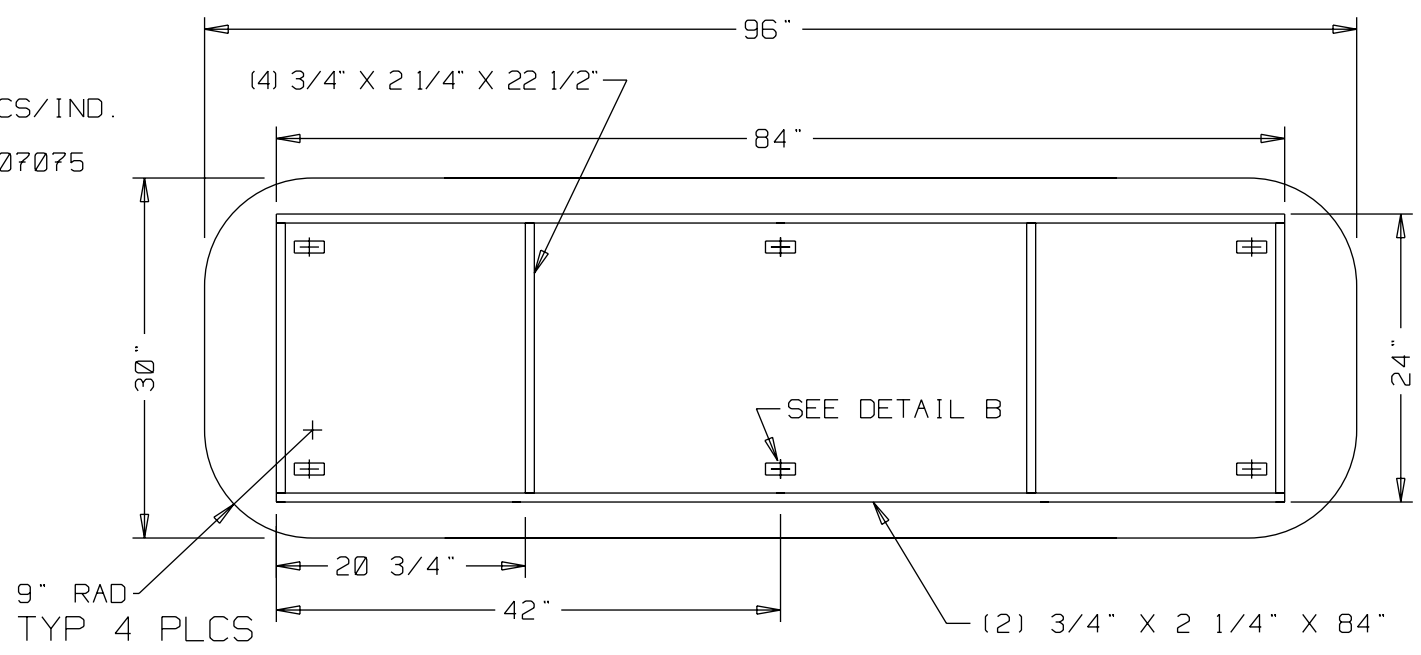
DETAIL OF DOOR LOCK & HANDLE



NOTE: DIMENSIONS FOR LOCK WILL VARY WITH THE TYPE OF LOCK USED. THIS DETAIL USES A NATIONAL CABINET LOCK, FLUSH MOUNTED, AND DOUBLE FORMED CAM FOR AN EXAMPLE.



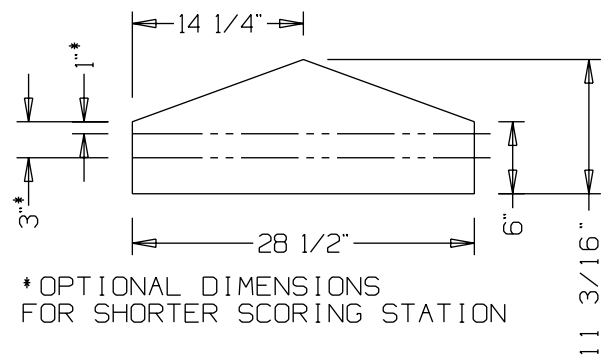
SECTION C-C



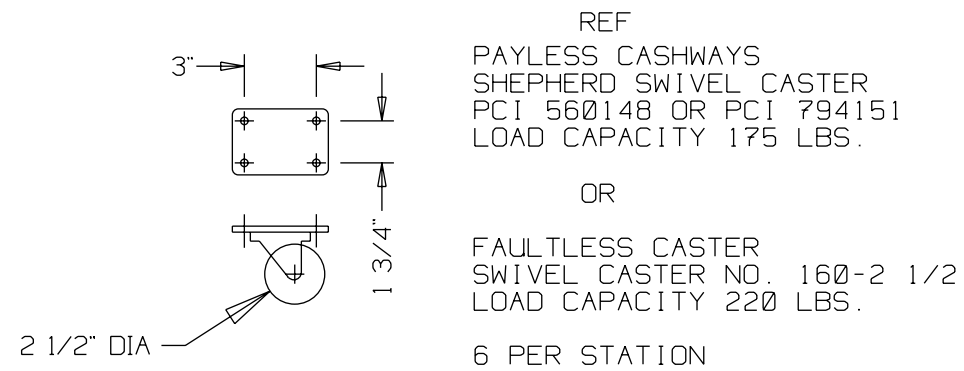
BOTTOM VIEW (BASE)

© 1995 Accelerated Christian Education, Inc. All rights reserved. Printed in the United States of America. This publication may not be reproduced in whole or in part in any form or by any means without permission from Accelerated Christian Education, Inc.		
<b>ACCELERATED CHRISTIAN EDUCATION</b> SCORING STATION DETAIL DRAWINGS		
DWG. NO. 0004	REV. 950316-0	SHEET 3 OF 5

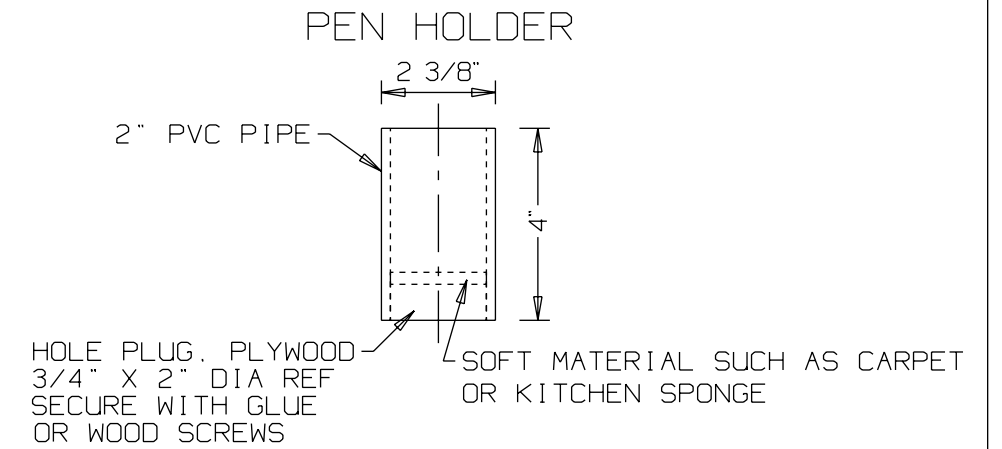
### SCORING SURFACE SUPPORT



DETAIL A

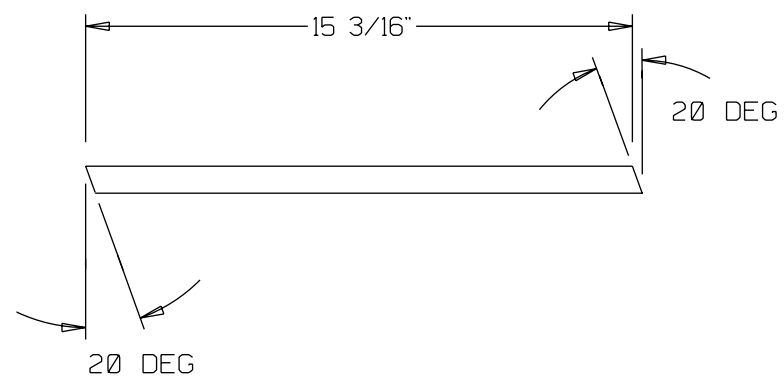


DETAIL B



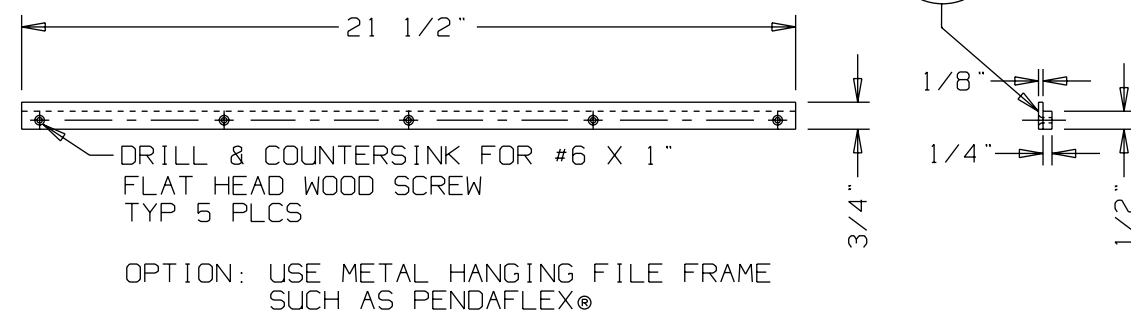
DETAIL C

### DETAIL OF CUTS FOR SCORING STATION SURFACE



DETAIL D

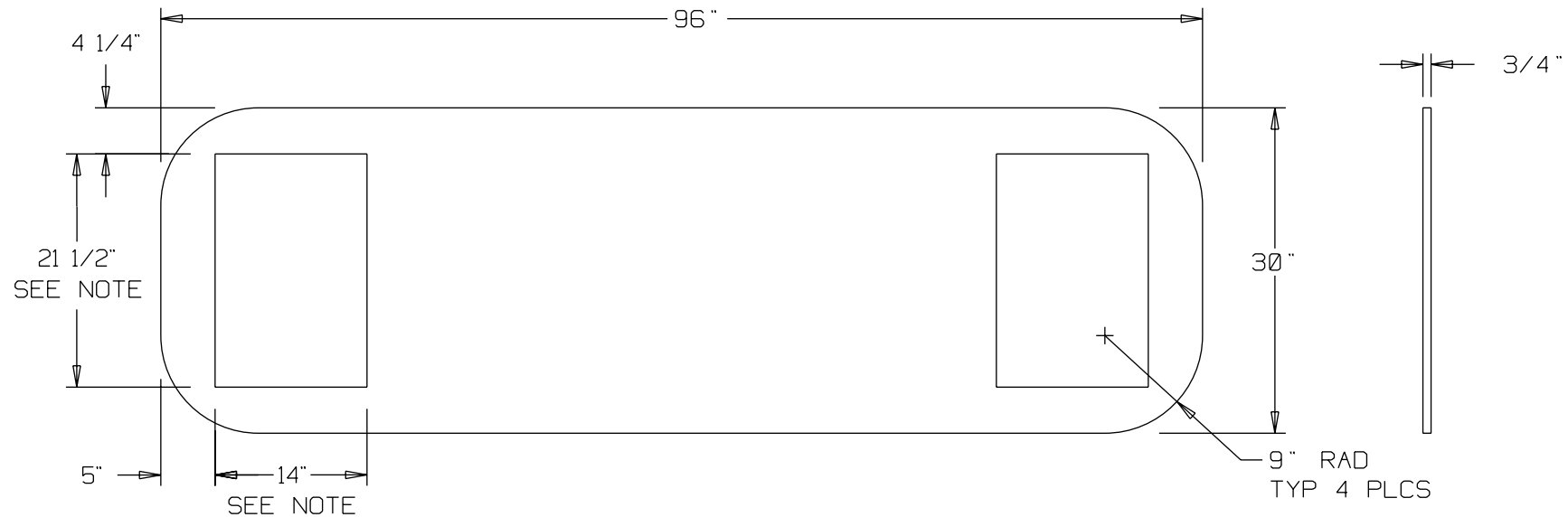
### METAL BRACKET FOR HANGING FILES



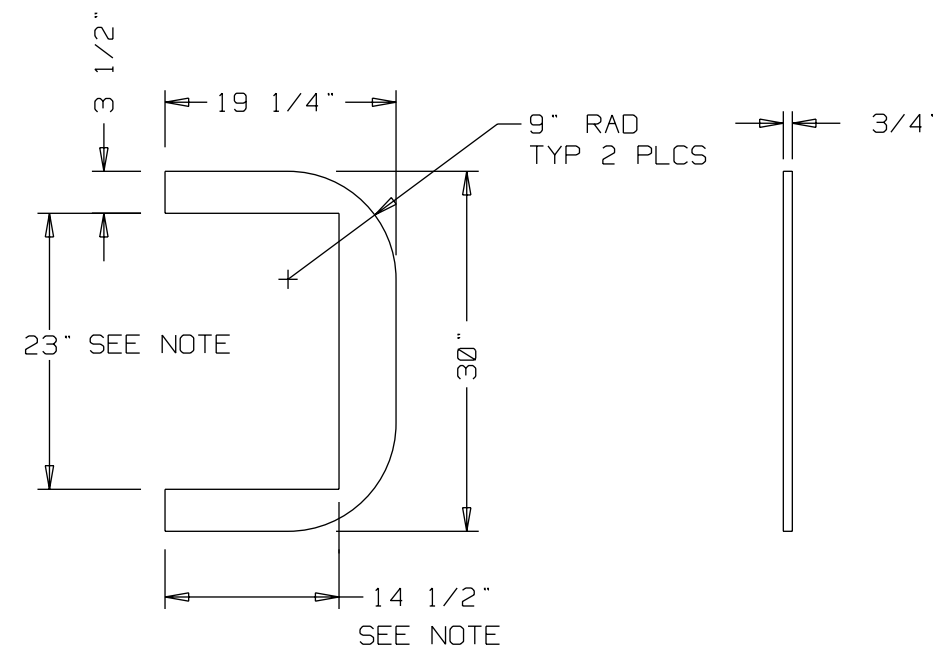
DETAIL E

<p>© 1995 Accelerated Christian Education, Inc. All rights reserved. Printed in the United States of America. This publication may not be reproduced in whole or in part in any form or by any means without permission from Accelerated Christian Education, Inc.</p>		
<p><b>ACCELERATED CHRISTIAN EDUCATION</b> SCORING STATION DETAIL DRAWINGS</p>		
DWG. NO. 0004	REV. 950316-0	SHEET 4 OF 5

TABLE TOP

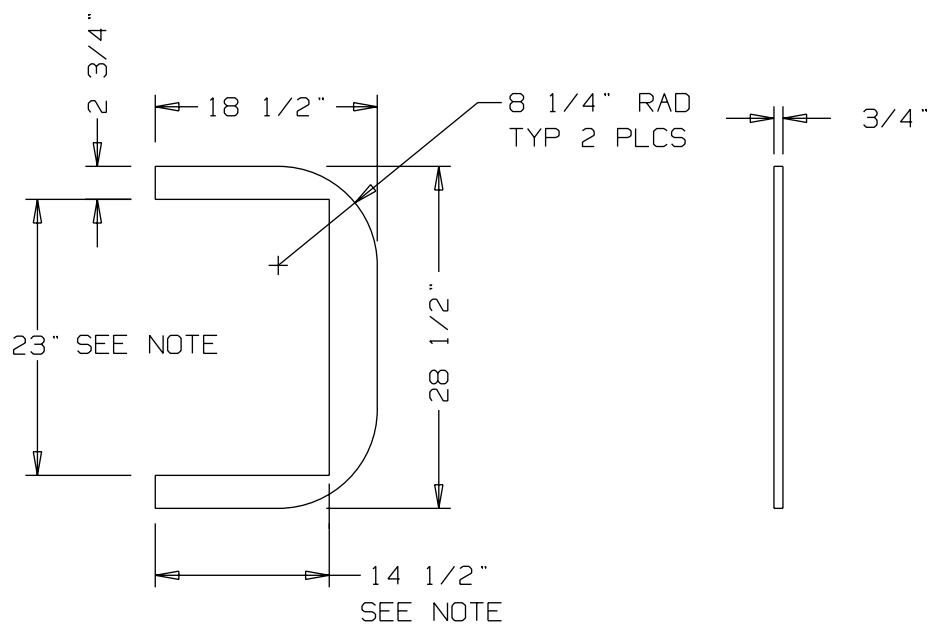


DETAIL F

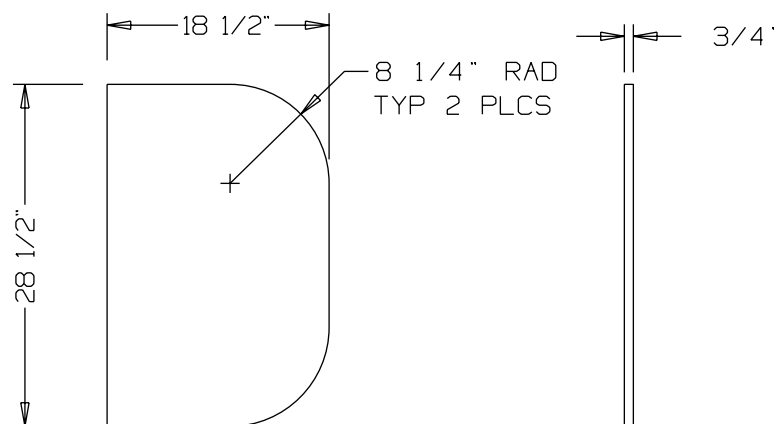


DETAIL G

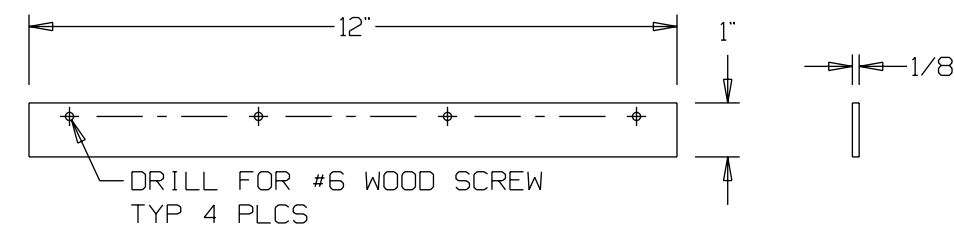
NOTE: MAKE CUTS CAREFULLY FOR A CLOSE FIT WITH SCORE KEY FILE AREA



DETAIL H



DETAIL J

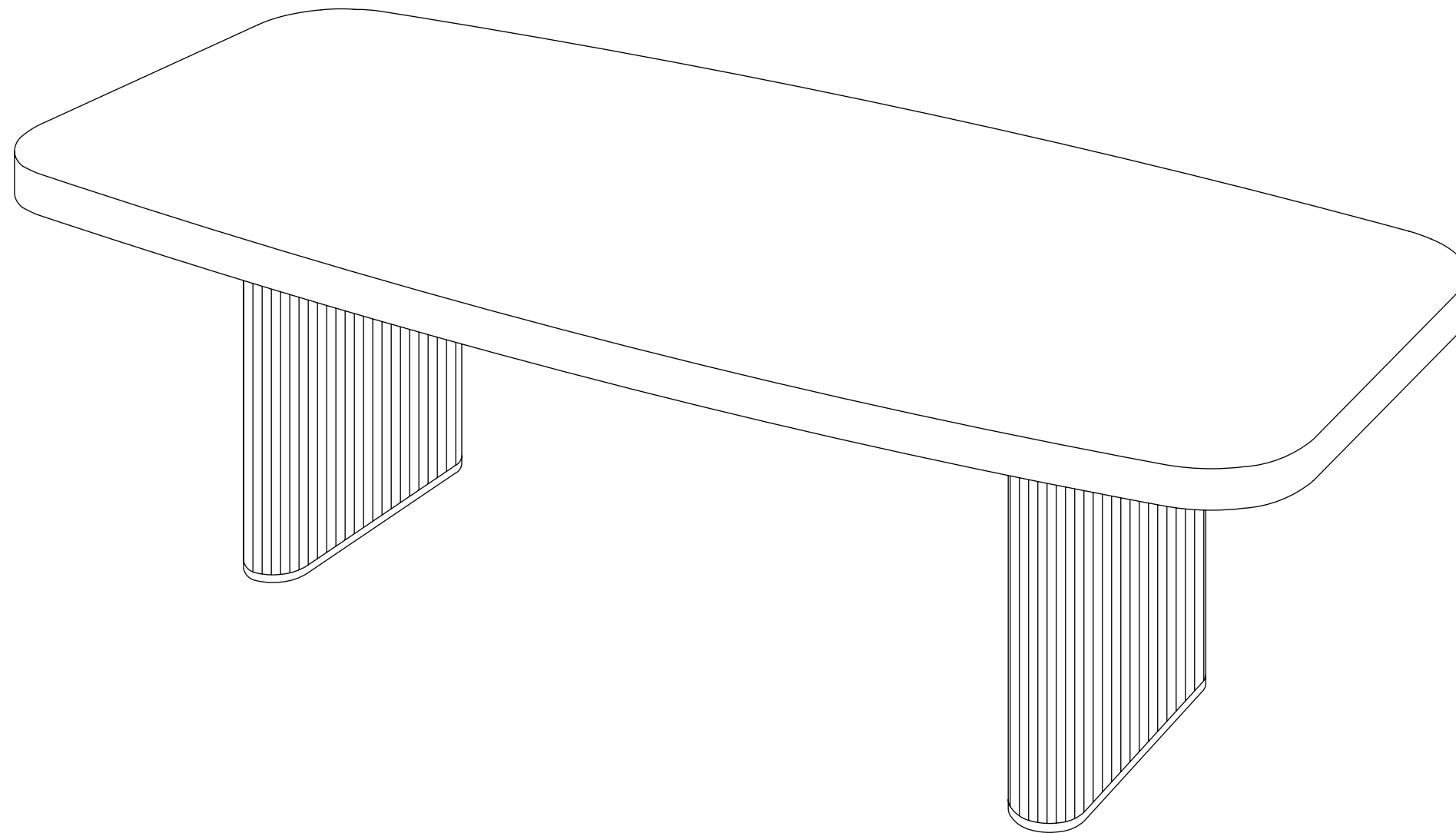


DETAIL K

© 1995 Accelerated Christian Education, Inc.  
 All rights reserved. Printed in the United States of America.  
 This publication may not be reproduced in whole or in part  
 in any form or by any means without permission from  
 Accelerated Christian Education, Inc.

ACCELERATED CHRISTIAN EDUCATION  
 SCORING STATION  
 DETAIL DRAWINGS

DWG. NO. 0004	REV. 950316-0	SHEET 5 OF 5
------------------	------------------	-----------------



PERSPECTIVE PROJECTION

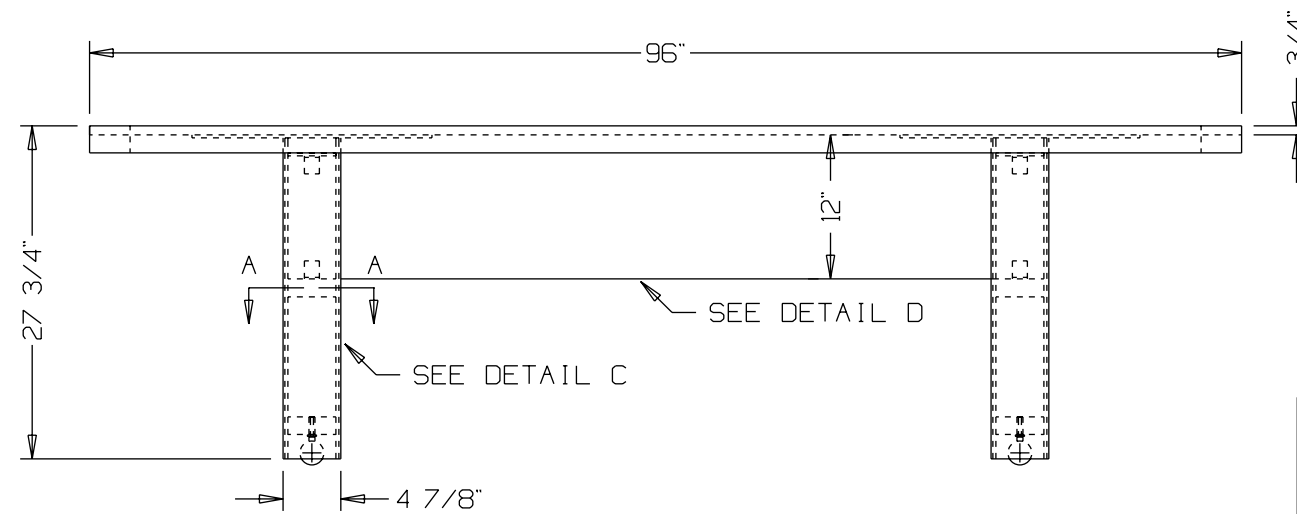
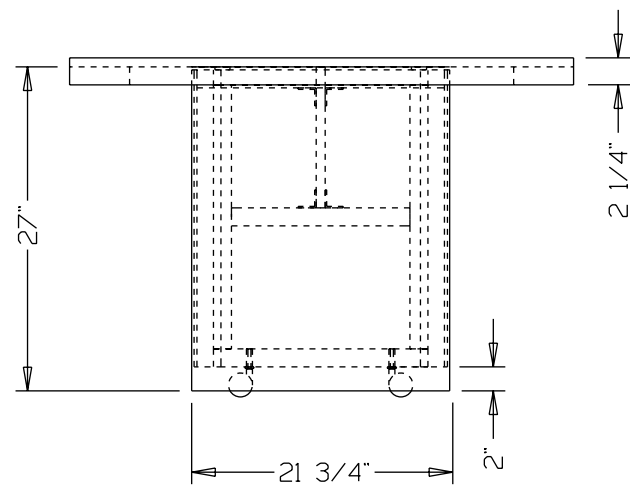
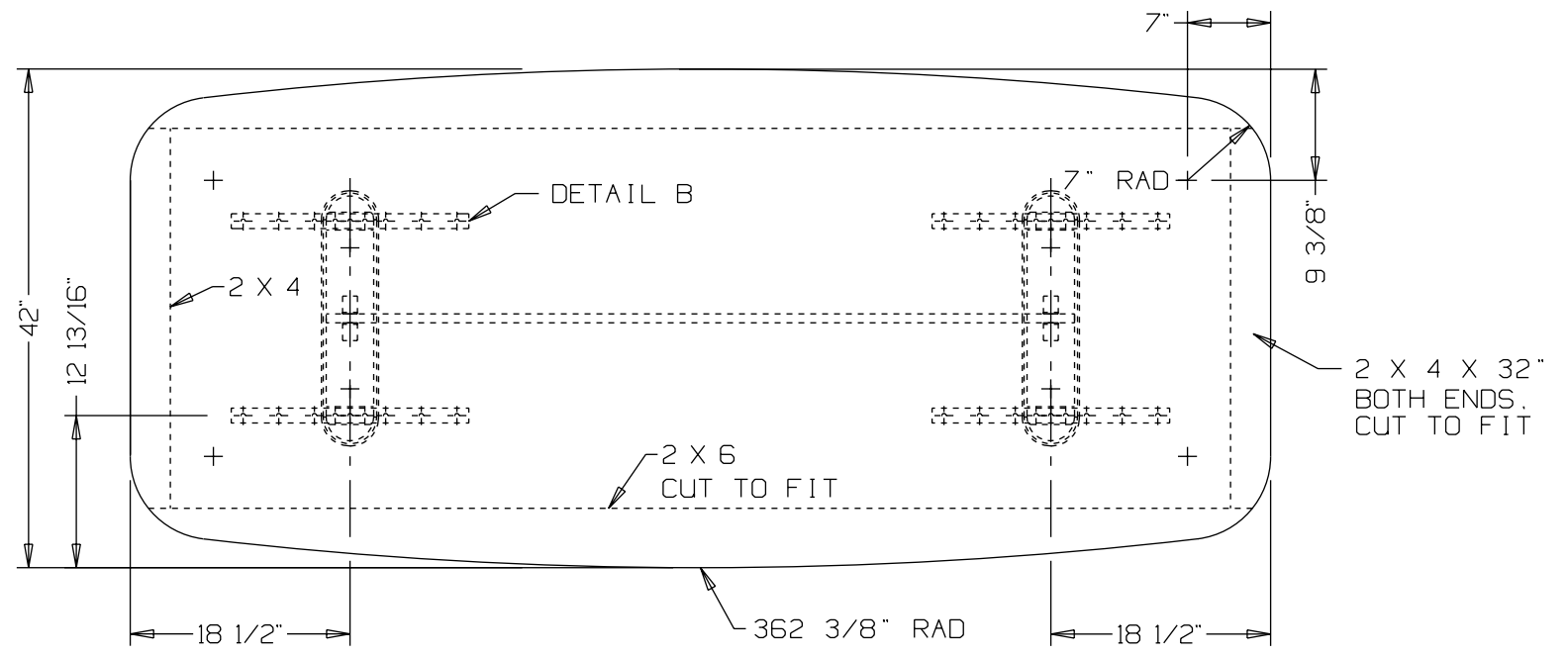
© 1995 Accelerated Christian Education, Inc.  
All rights reserved. Printed in the United States of America.  
This publication may not be reproduced in whole or in part  
in any form or by any means without permission from  
Accelerated Christian Education, Inc.

ACCELERATED CHRISTIAN EDUCATION  
TESTING TABLE

DWG. NO. 0005	REV. 950316-0	SHEET 1 OF 3
------------------	------------------	-----------------

NOTES: UNLESS OTHERWISE SPECIFIED,  
FASTEN ALL PARTS WITH  
1 1/4" DRYWALL SCREWS

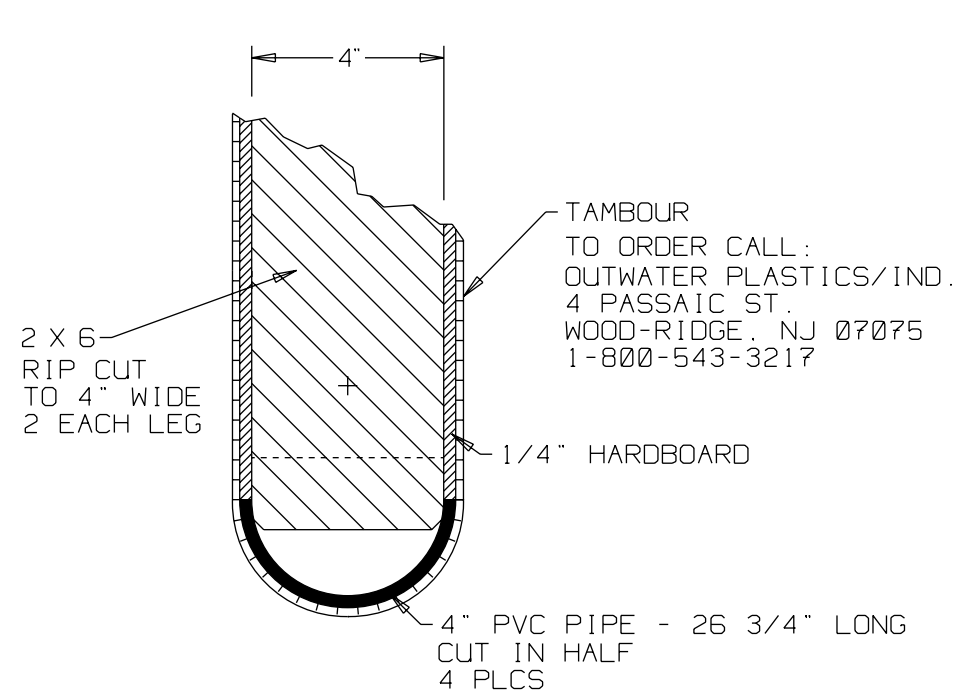
MULTIPURPOSE GLUE SUCH AS  
LIQUID NAILS® MAY BE USED ON  
ALL JOINTS



© 1995 Accelerated Christian Education, Inc. All rights reserved. Printed in the United States of America. This publication may not be reproduced in whole or in part in any form or by any means without permission from Accelerated Christian Education, Inc.		
<b>ACCELERATED CHRISTIAN EDUCATION</b> TESTING TABLE		
DWG. NO. 0005	REV. 950316-0	SHEET 2 OF 3

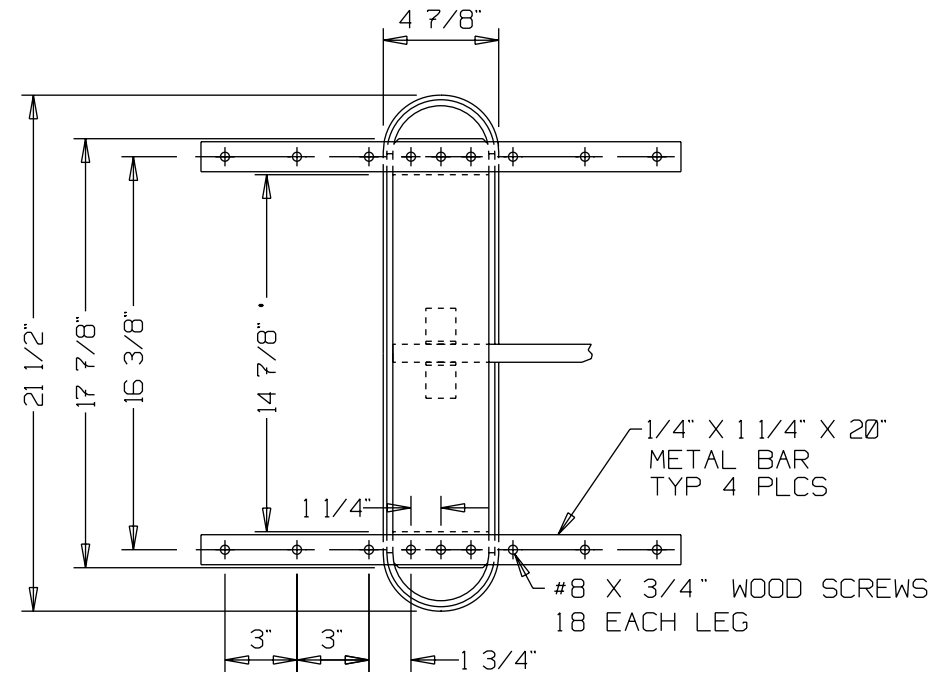


### DETAIL OF LEG ASSEMBLY

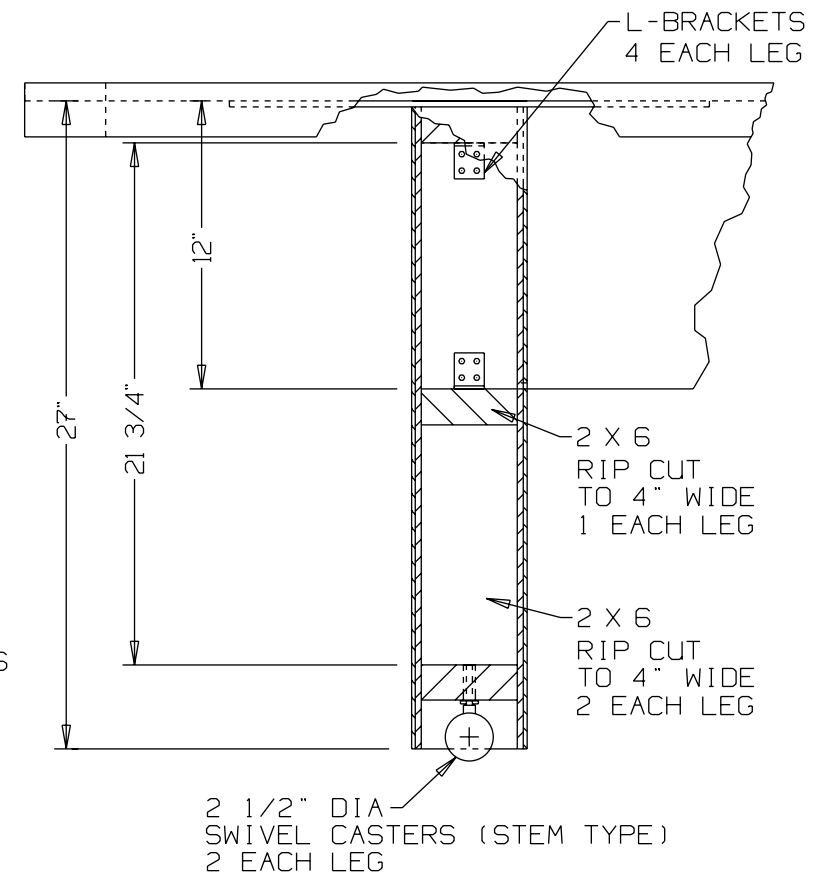


SECTION A-A

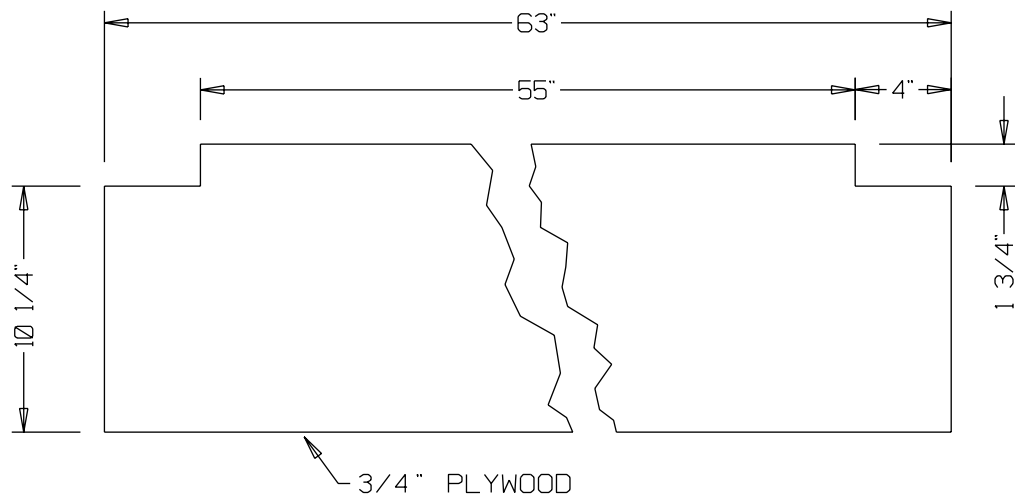
### DETAIL OF LEG MOUNTING



DETAIL B



DETAIL C

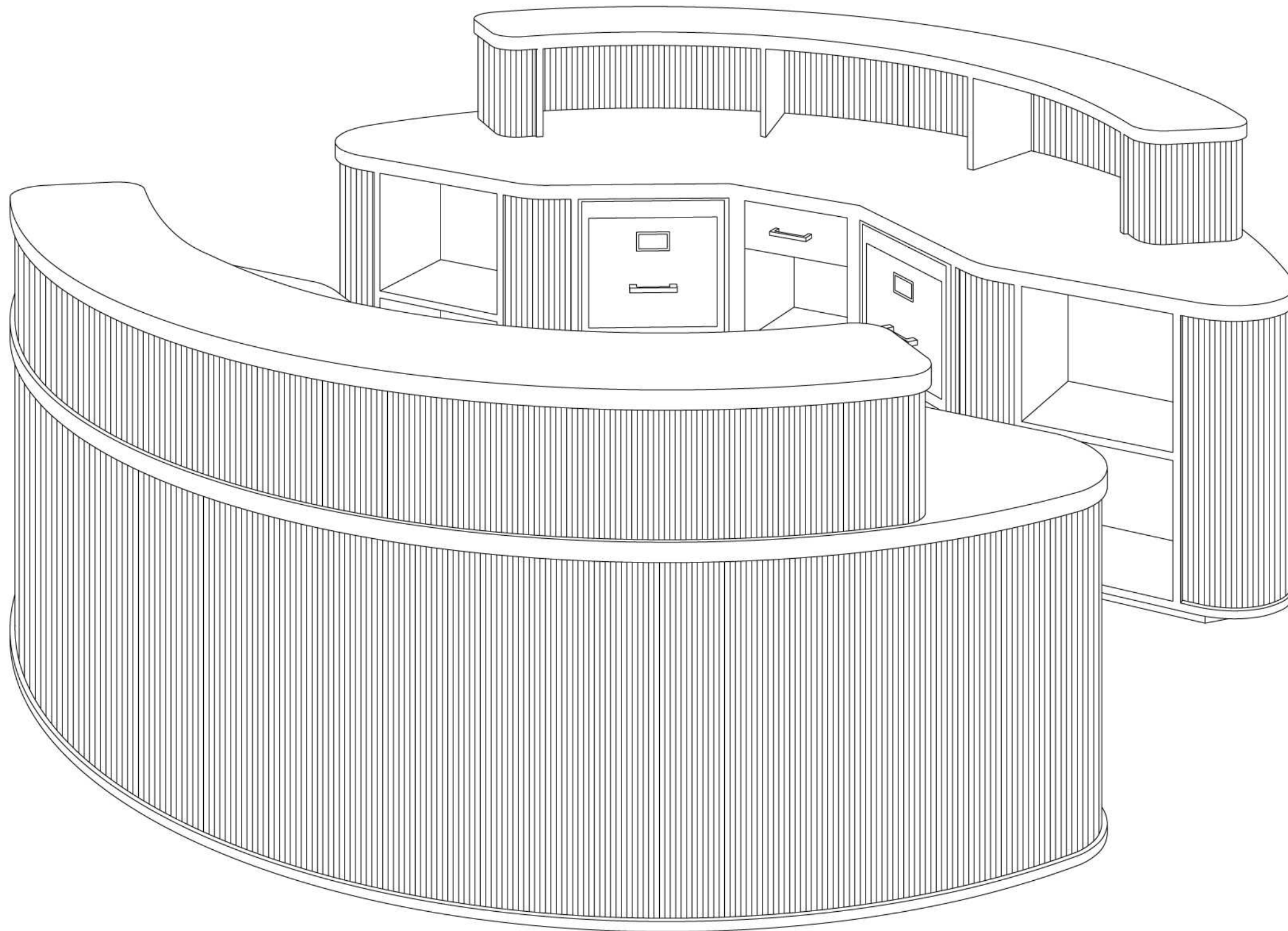


DETAIL D

© 1995 Accelerated Christian Education, Inc.  
All rights reserved. Printed in the United States of America.  
This publication may not be reproduced in whole or in part  
in any form or by any means without permission from  
Accelerated Christian Education, Inc.

**ACCELERATED CHRISTIAN EDUCATION**  
TESTING TABLE  
DETAIL DRAWINGS

DWG. NO. 0005	REV. 950421-0	SHEET 3 OF 3
------------------	------------------	-----------------



PERSPECTIVE PROJECTION

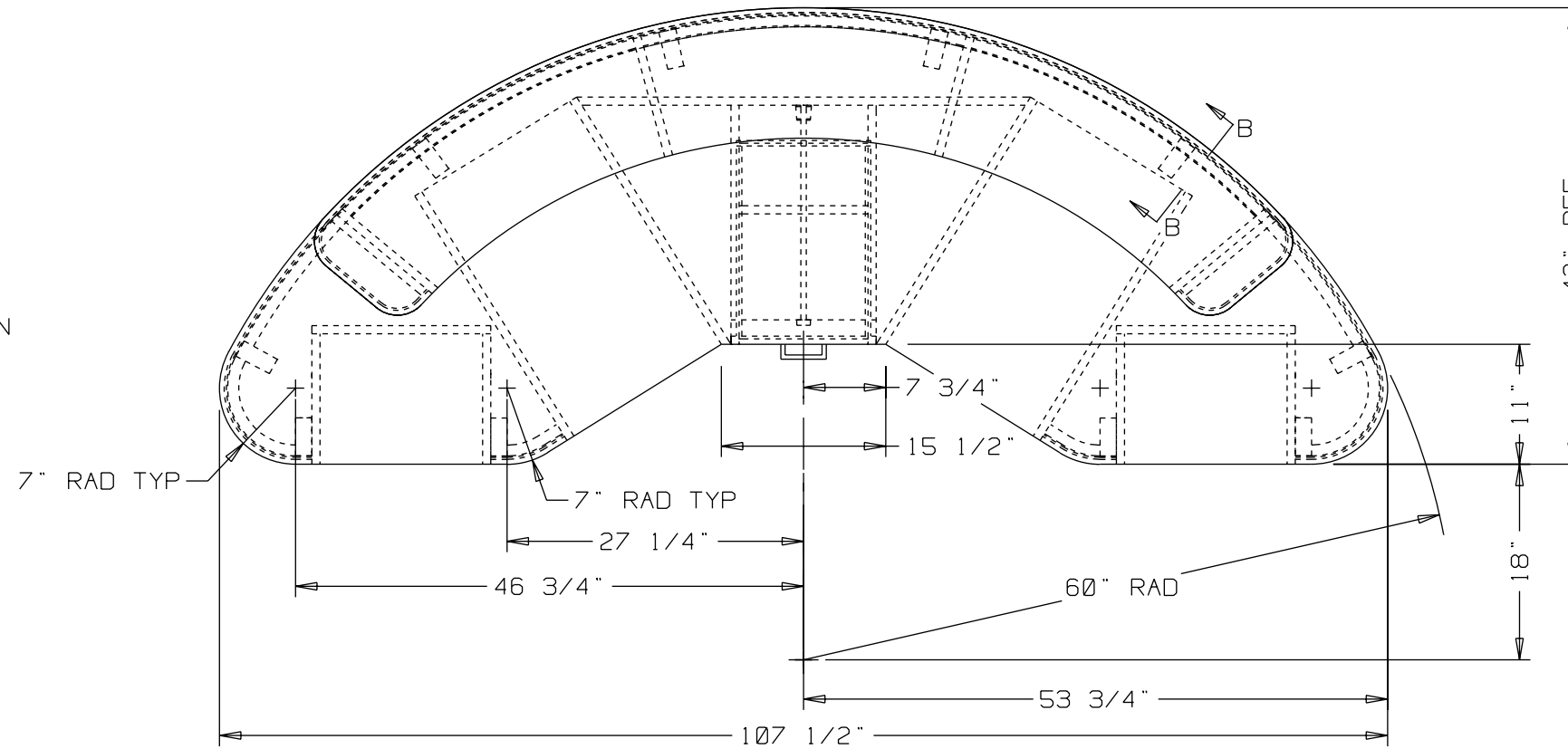
© 1995 Accelerated Christian Education, Inc.  
All rights reserved. Printed in the United States of America.  
This publication may not be reproduced in whole or in part  
in any form or by any means without permission from  
Accelerated Christian Education, Inc.

**ACCELERATED CHRISTIAN EDUCATION**  
SUPERVISOR'S STATION

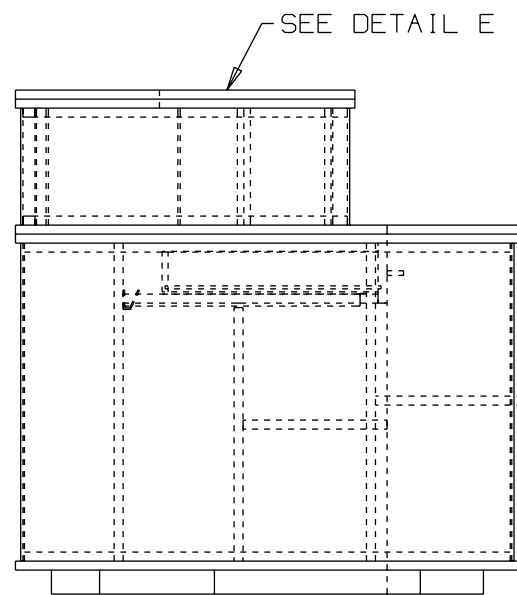
DWG. NO. 0006	REV. 950316-0	SHEET 1 OF 5
------------------	------------------	-----------------

NOTES: UNLESS OTHERWISE SPECIFIED,  
FASTEN ALL PARTS WITH  
1 1/4" DRYWALL SCREWS

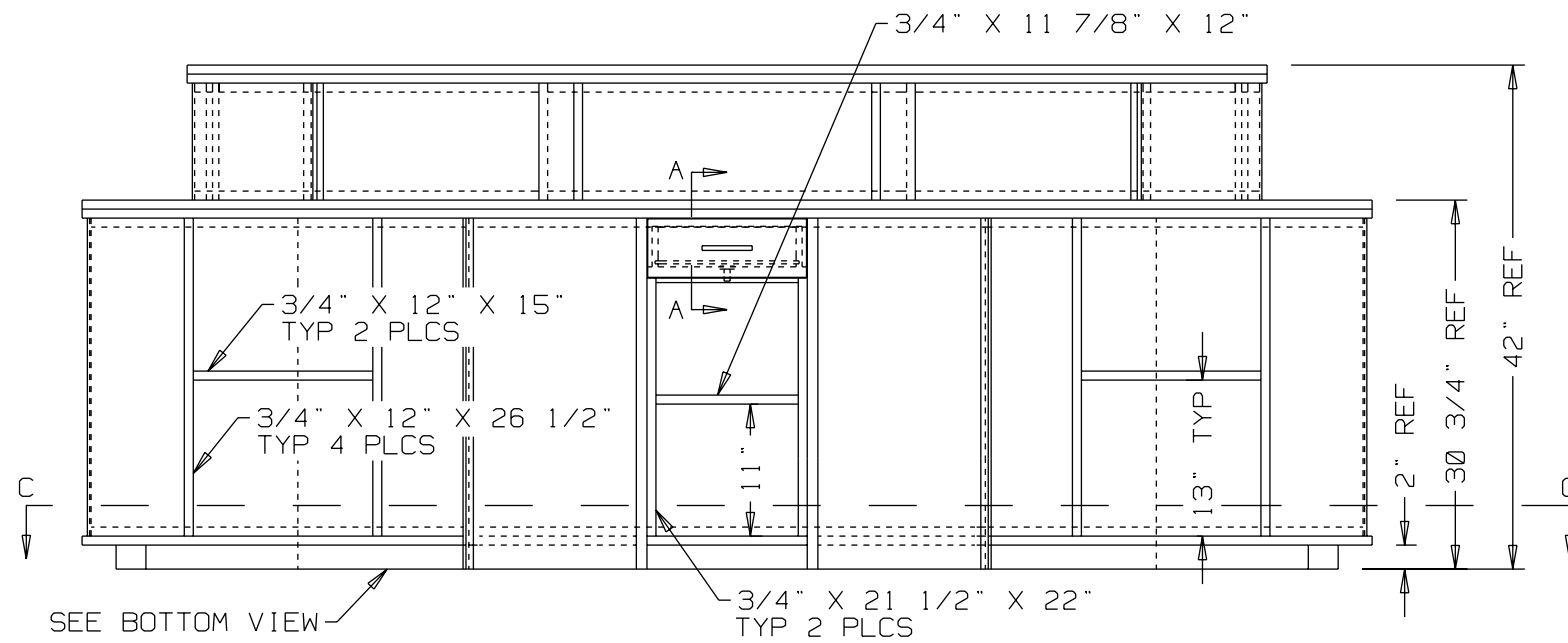
MULTIPURPOSE GLUE SUCH AS  
LIQUID NAILS® MAY BE USED ON  
ALL JOINTS



TOP VIEW



END VIEW



FRONT VIEW

© 1995 Accelerated Christian Education, Inc.  
All rights reserved. Printed in the United States of America.  
This publication may not be reproduced in whole or in part  
in any form or by any means without permission from  
Accelerated Christian Education, Inc.

**ACCELERATED CHRISTIAN EDUCATION**  
SUPERVISOR'S STATION

DWG. NO. 0006	REV. 950316-0	SHEET 2 OF 5
------------------	------------------	-----------------

DETAIL OF DRAWER

DETAIL OF DRAWER FRONT

DRAWER BACK  
1/2" X 3 3/8" X 12 1/2"  
SEE NOTE

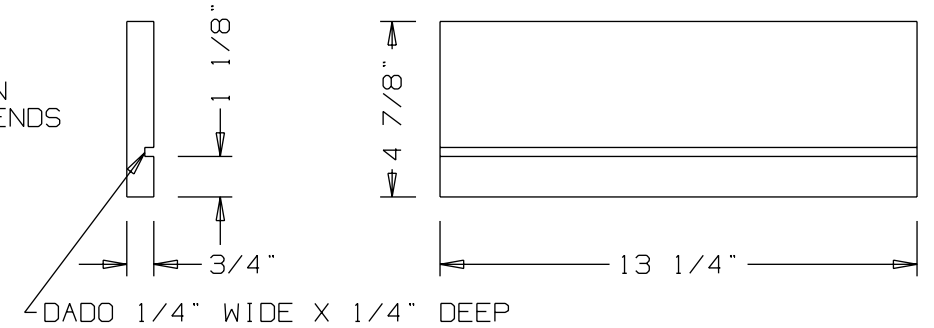
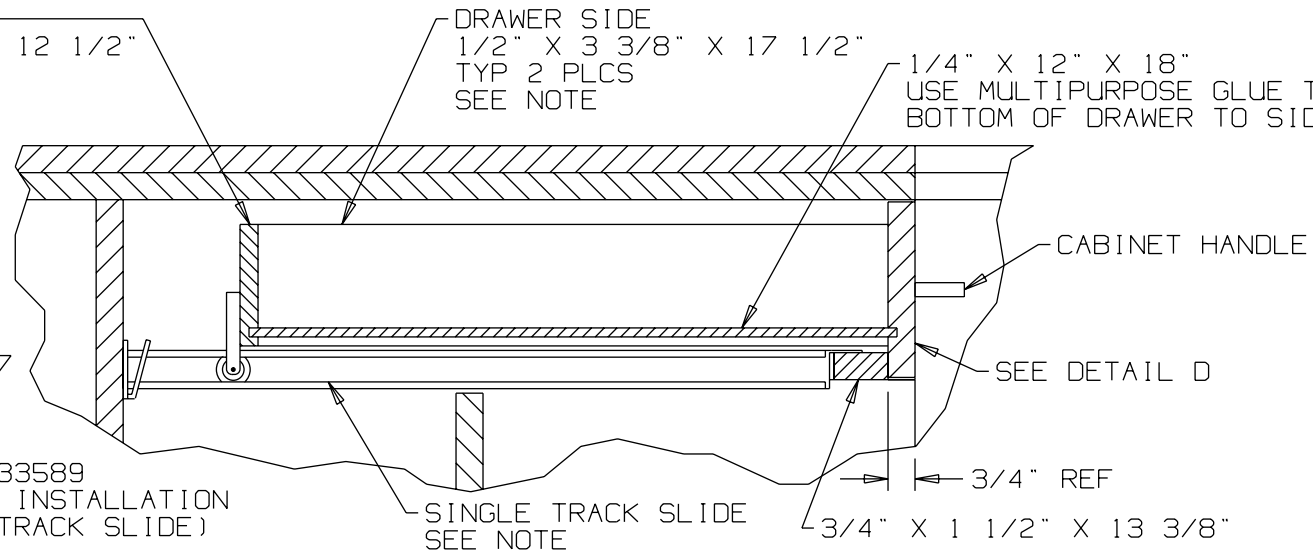
DRAWER SIDE  
1/2" X 3 3/8" X 17 1/2"  
TYP 2 PLCS  
SEE NOTE

1/4" X 12" X 18"  
USE MULTIPURPOSE GLUE TO JOIN  
BOTTOM OF DRAWER TO SIDES & ENDS

NOTE: DRAWER SIDES, BACK AND  
TRACK SHOWN MAY BE  
PURCHASED FROM THE  
WOOD WORKERS' STORE  
21801 INDUSTRIAL BLVD.  
ROGERS, MN 55374-9514  
1-800-279-4441

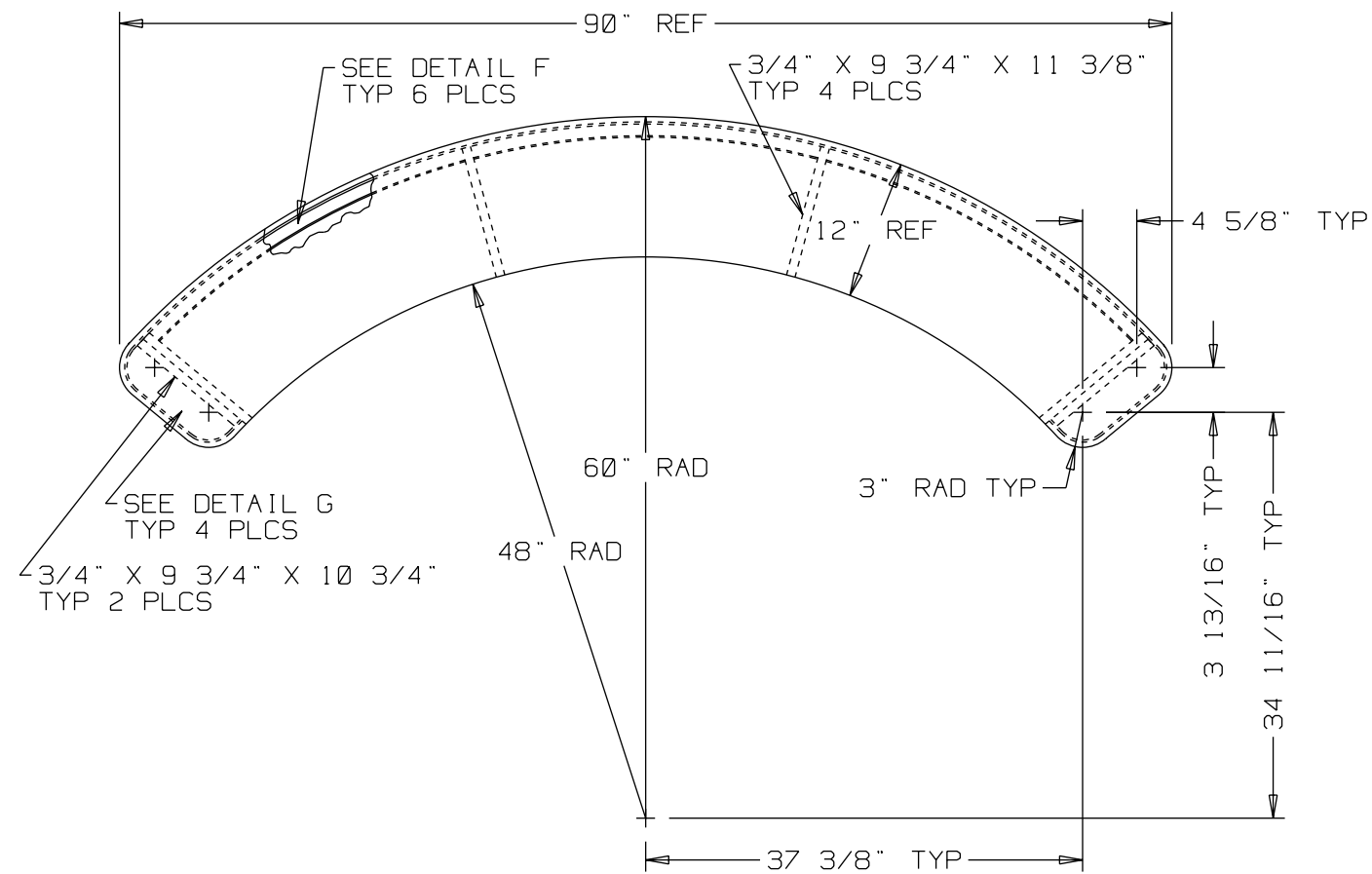
DRAWER SIDE--ITEM #12237  
OR EQUIVALENT (4 FOOT  
LENGTHS)

TRACK & ROLLERS--ITEM #33589  
OR EQUIVALENT (COMPLETE INSTALLATION  
INSTRUCTIONS COME WITH TRACK SLIDE)

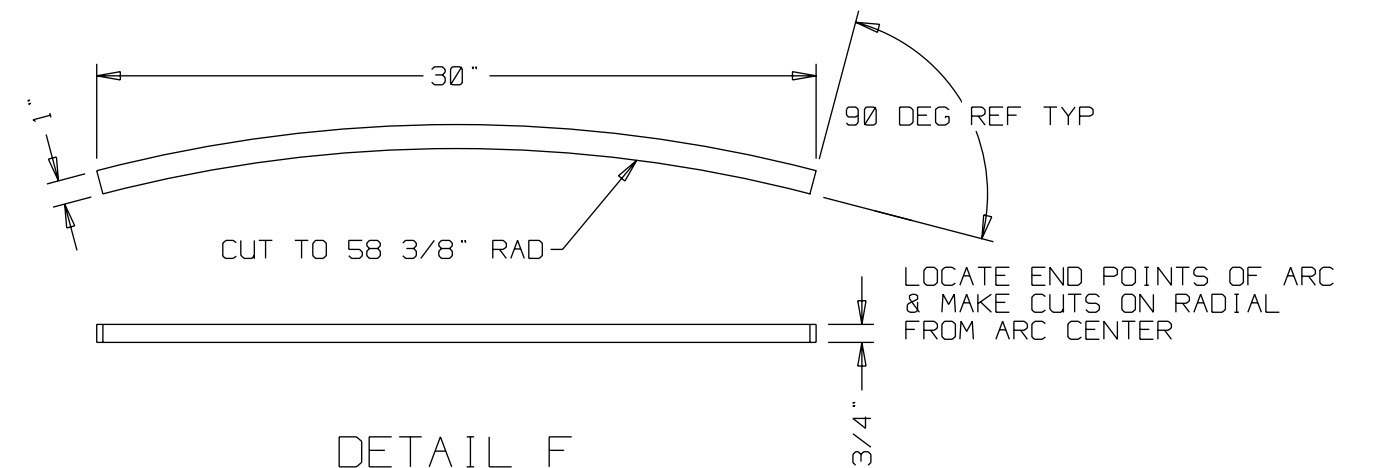


DETAIL D

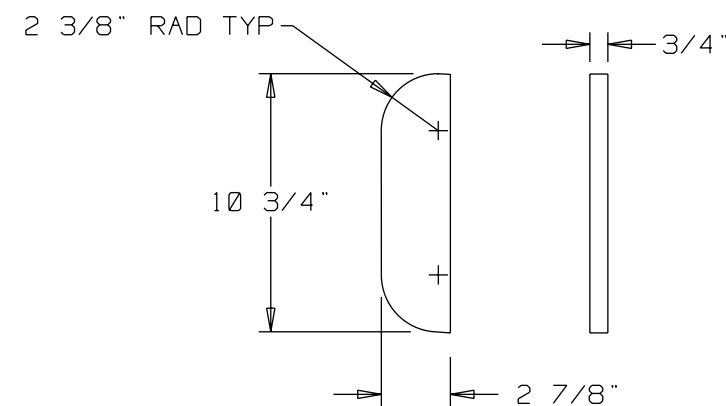
SECTION A-A



DETAIL E



DETAIL F

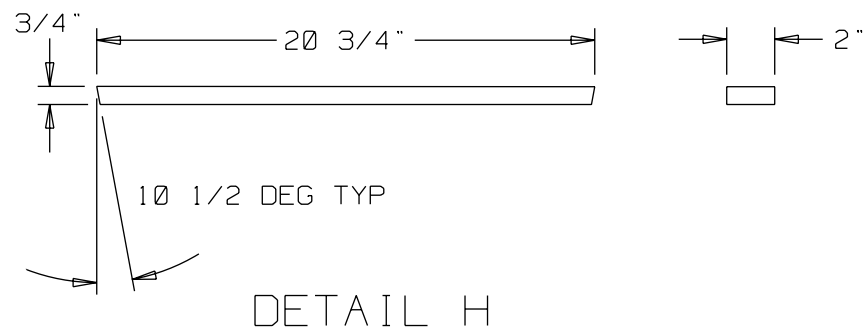


DETAIL G

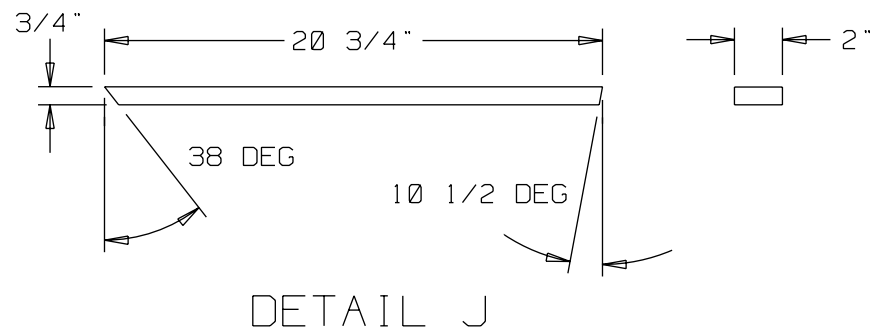
©1995 Accelerated Christian Education, Inc.  
All rights reserved. Printed in the United States of America.  
This publication may not be reproduced in whole or in part  
in any form or by any means without permission from  
Accelerated Christian Education, Inc.

**ACCELERATED CHRISTIAN EDUCATION**  
SUPERVISOR'S STATION  
DETAIL DRAWINGS

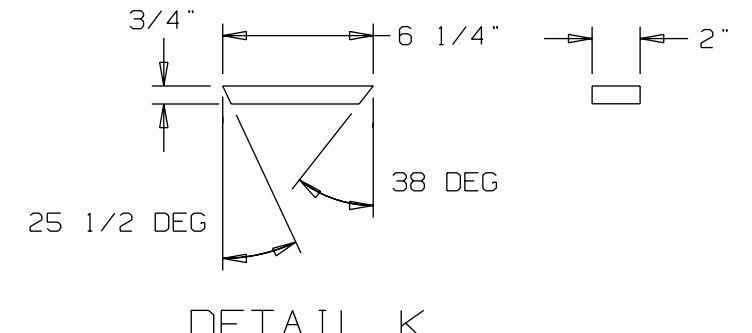
DWG. NO. 0006	REV. 950316-0	SHEET 3 OF 5
------------------	------------------	-----------------



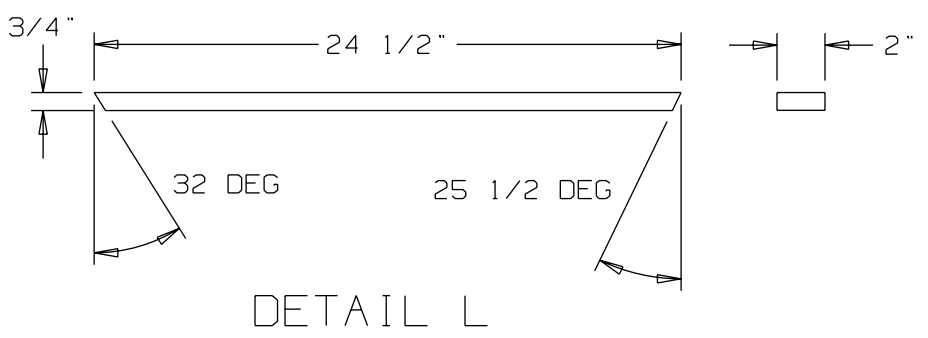
DETAIL H



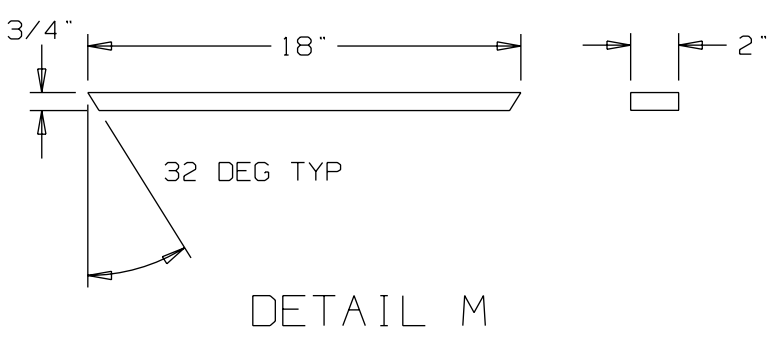
DETAIL J



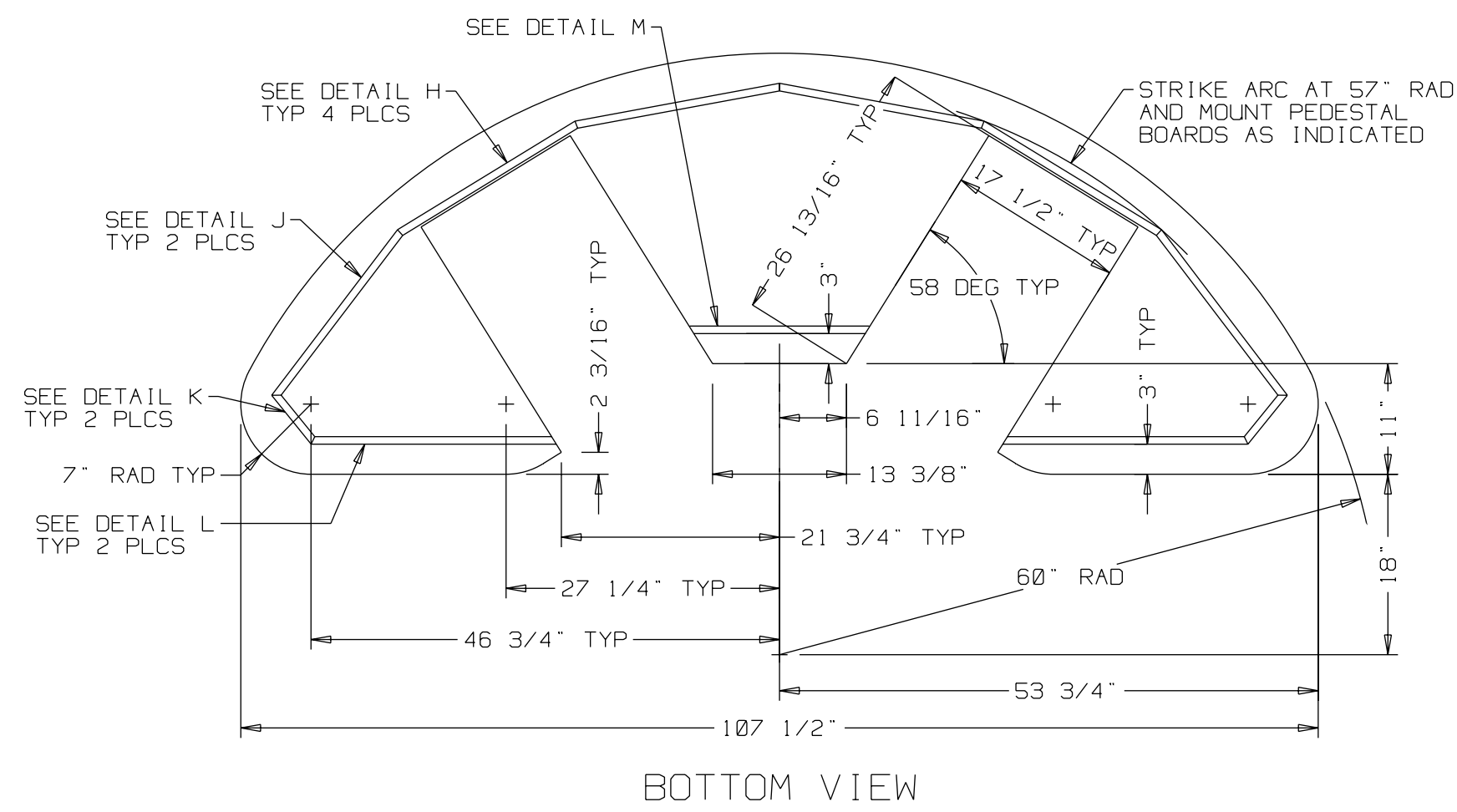
DETAIL K



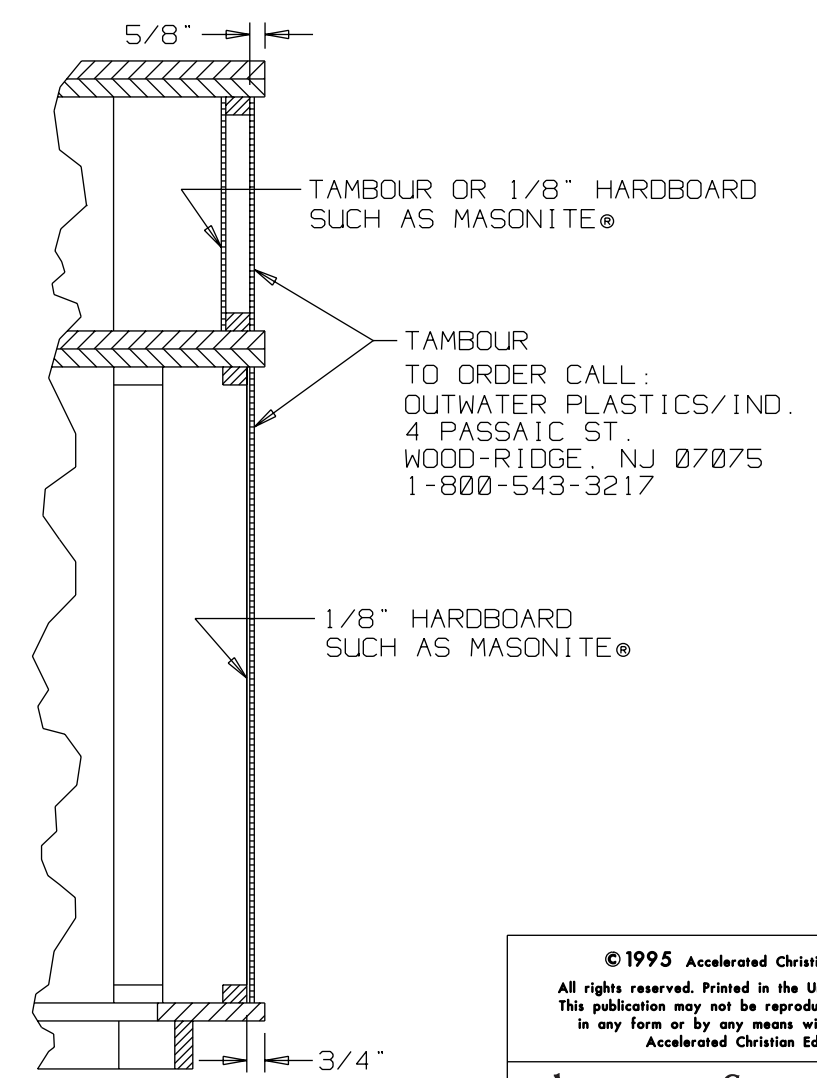
DETAIL L



DETAIL M



BOTTOM VIEW

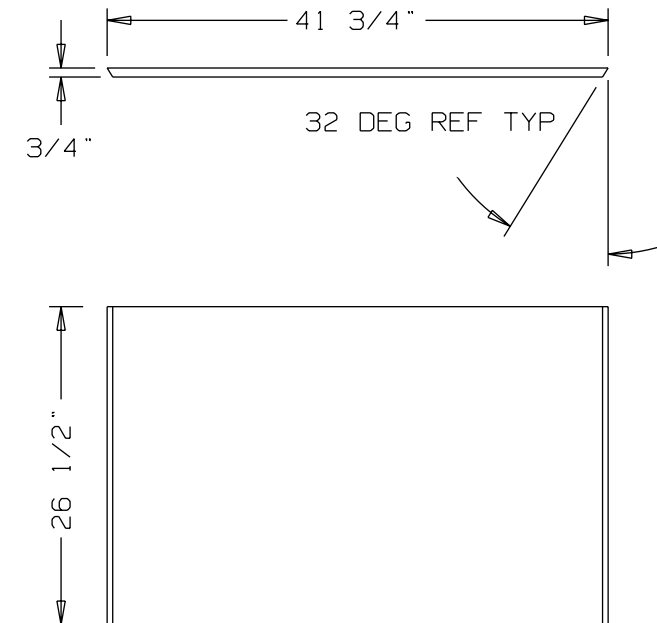
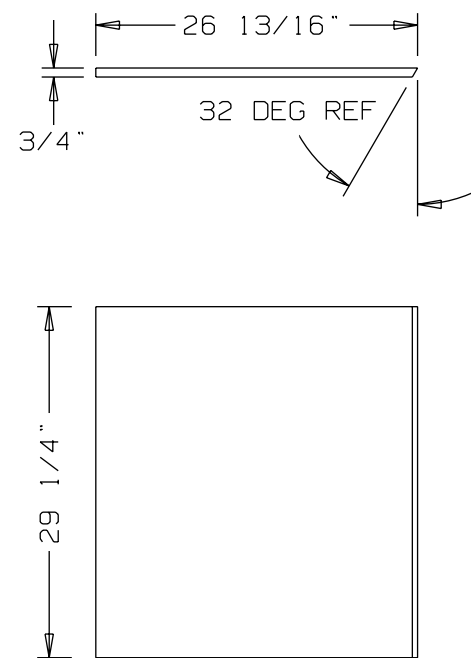
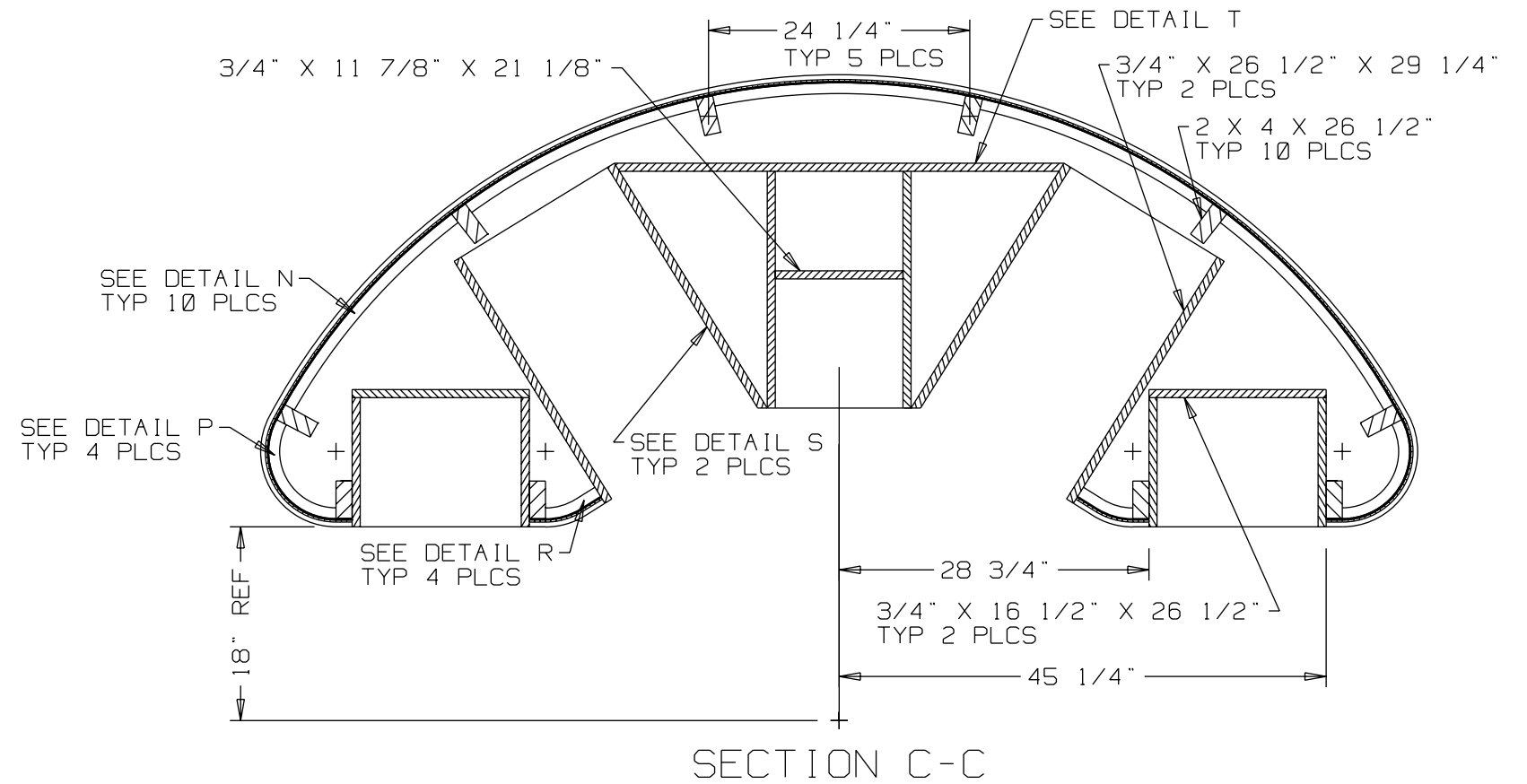
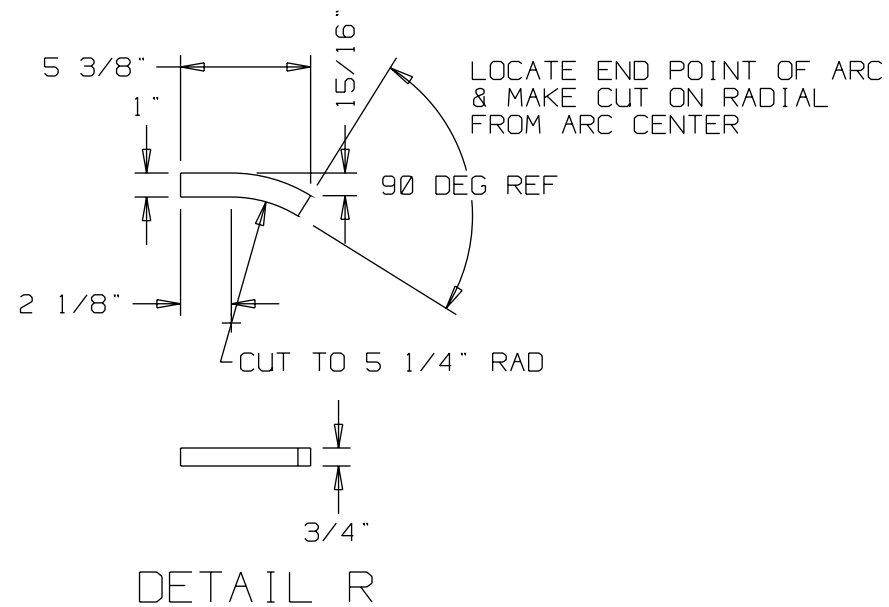
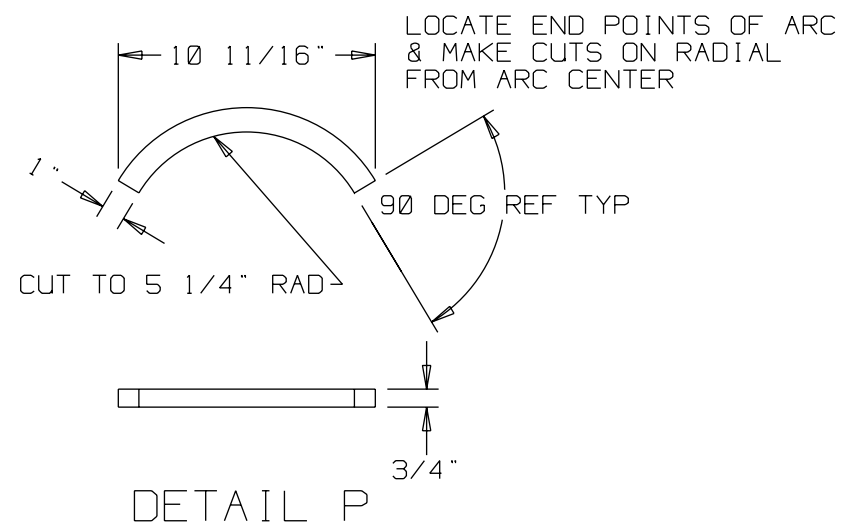
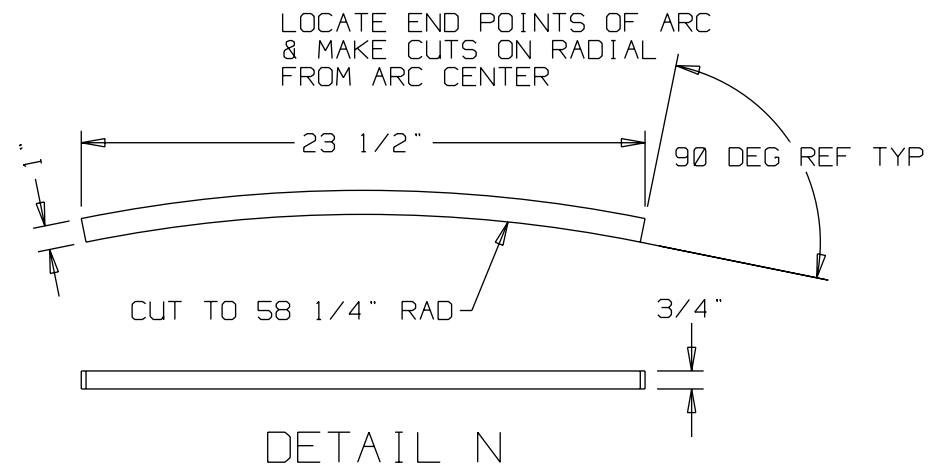


SECTION B-B

© 1995 Accelerated Christian Education, Inc.  
All rights reserved. Printed in the United States of America.  
This publication may not be reproduced in whole or in part  
in any form or by any means without permission from  
Accelerated Christian Education, Inc.

**ACCELERATED CHRISTIAN EDUCATION**  
SUPERVISOR'S STATION  
DETAIL DRAWINGS

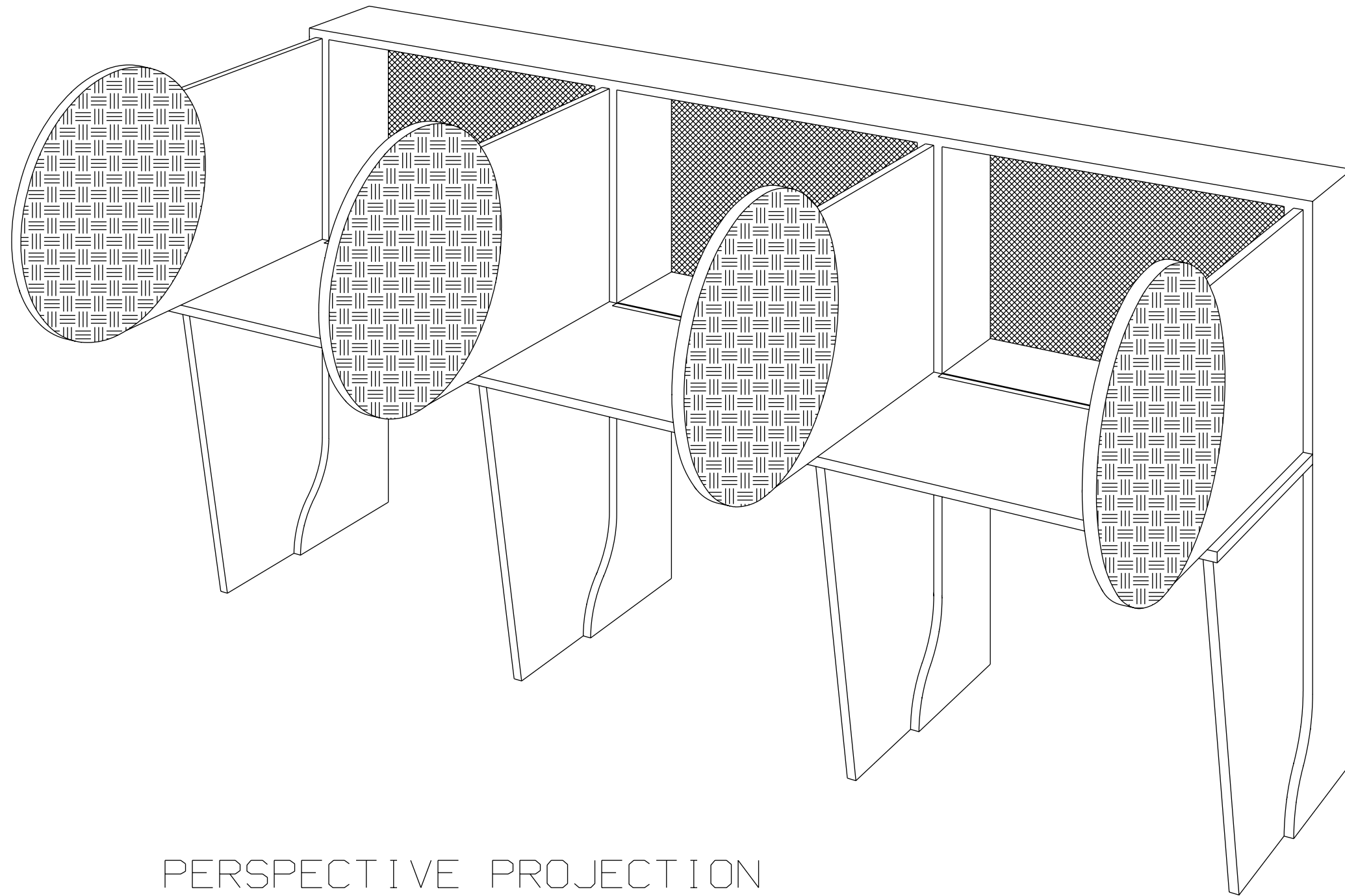
DWG. NO. 0006	REV. 950316-0	SHEET 4 OF 5
------------------	------------------	-----------------



© 1995 Accelerated Christian Education, Inc.  
 All rights reserved. Printed in the United States of America.  
 This publication may not be reproduced in whole or in part  
 in any form or by any means without permission from  
 Accelerated Christian Education, Inc.

**ACCELERATED CHRISTIAN EDUCATION**  
 SUPERVISOR'S STATION  
 DETAIL DRAWINGS

DWG. NO. 0006	REV. 950316-0	SHEET 5 OF 5
------------------	------------------	-----------------



PERSPECTIVE PROJECTION

© 1995 Accelerated Christian Education, Inc.  
All rights reserved. Printed in the United States of America.  
This publication may not be reproduced in whole or in part  
in any form or by any means without permission from  
Accelerated Christian Education, Inc.

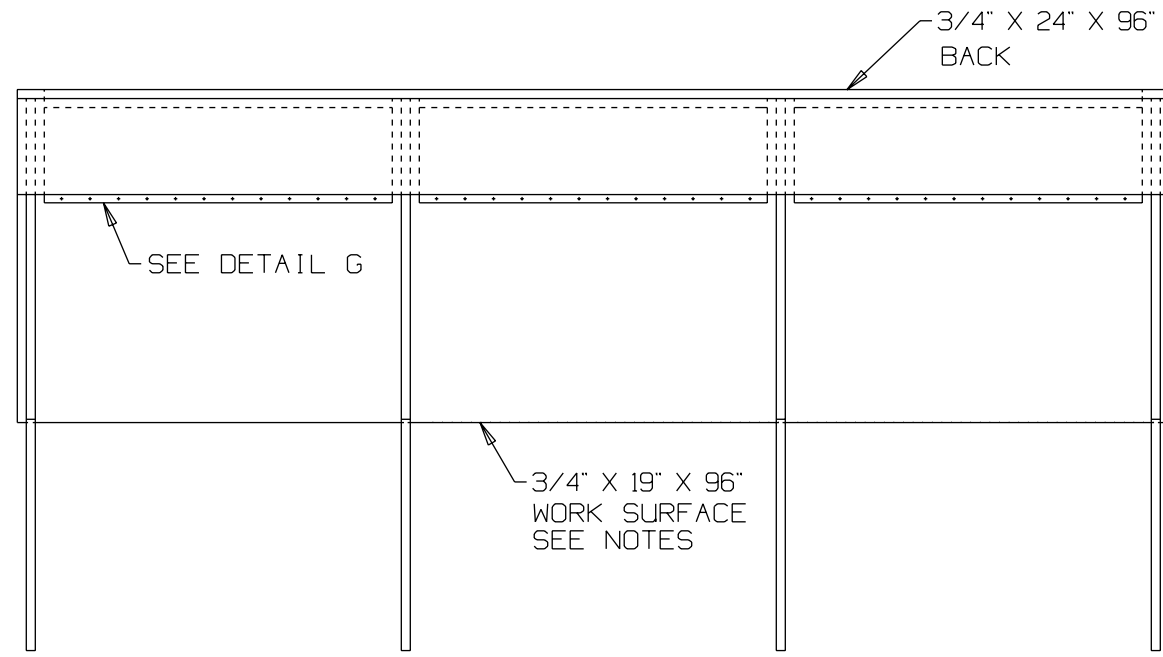
ACCELERATED CHRISTIAN EDUCATION  
OPTIONAL STUDENT OFFICE

DWG. NO. 0008	REV. 950424-0	SHEET 1 OF 4
------------------	------------------	-----------------

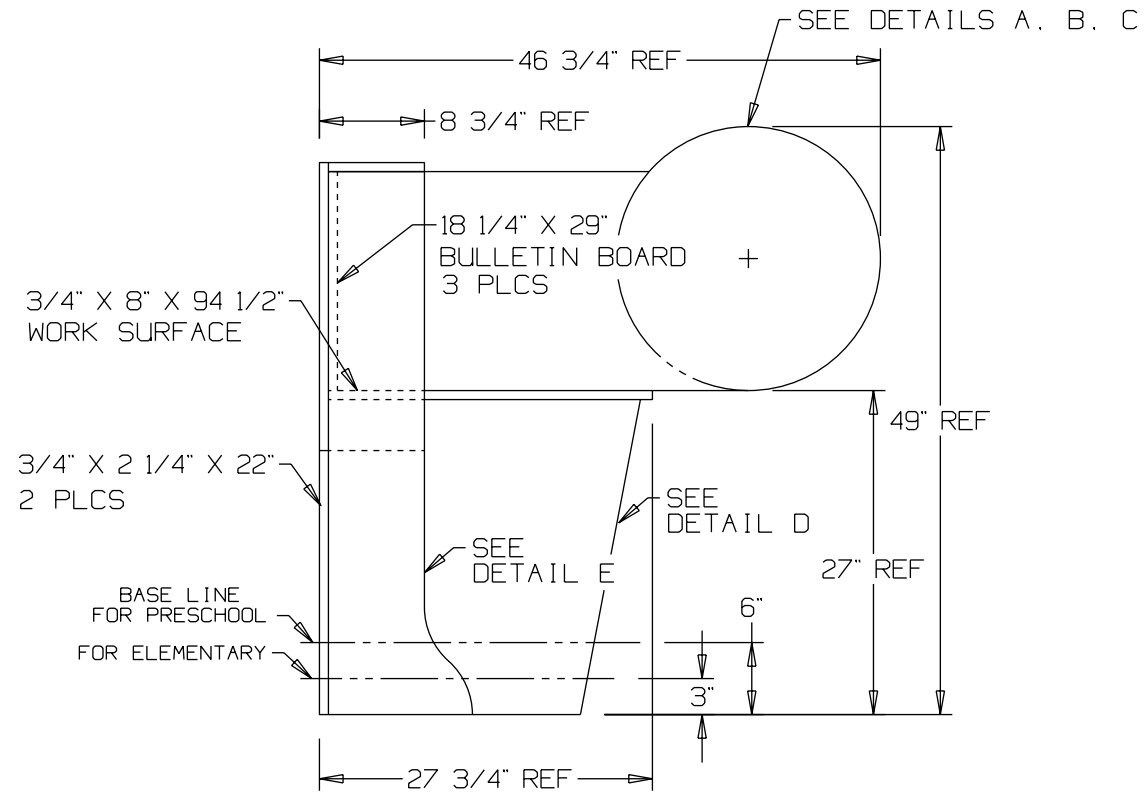
NOTES: UNLESS OTHERWISE SPECIFIED,  
FASTEN ALL PARTS WITH  
1 1/4" DRYWALL SCREWS

MULTIPURPOSE GLUE SUCH AS  
LIQUID NAILS® MAY BE USED ON  
ALL JOINTS IF OFFICE UNIT WILL  
BE PERMANENT

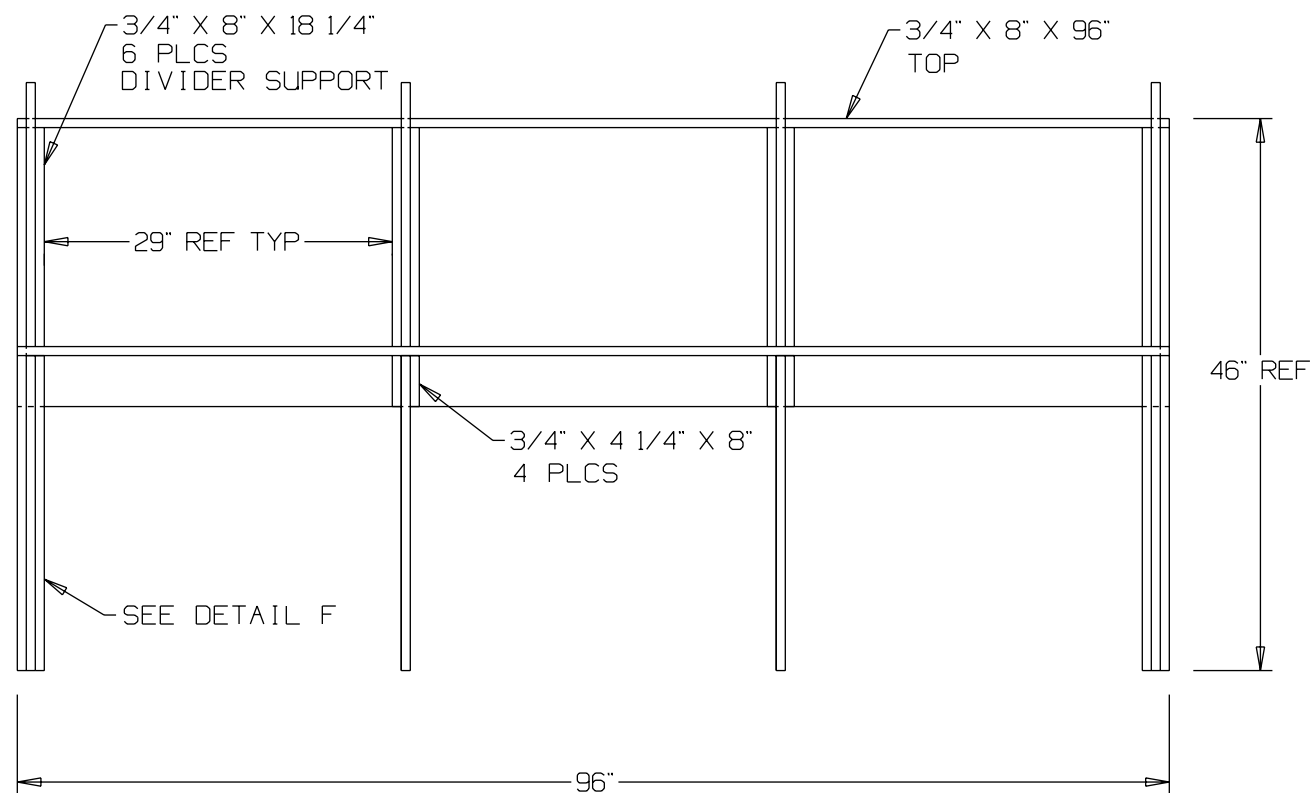
TO SECURE WORK SURFACE IN THE  
CLOSED POSITION, USE HOOK AND EYE,  
MAGNETIC LATCH, OR EQUIVALENT



TOP VIEW



SIDE VIEW



FRONT VIEW

© 1995 Accelerated Christian Education, Inc.  
All rights reserved. Printed in the United States of America.  
This publication may not be reproduced in whole or in part  
in any form or by any means without permission from  
Accelerated Christian Education, Inc.

**ACCELERATED CHRISTIAN EDUCATION**  
OPTIONAL STUDENT OFFICE

DWG. NO. 0008	REV. 950421-0	SHEET 2 OF 4
------------------	------------------	-----------------



NOTE: OMIT 6" RAD FOR UNITS WITH CARPET ON DIVIDERS

FLEXIBLE TEE MOULDING POLYETHYLENE  
 105-1316 (1 3/16" WIDE)  
 OUTWATER PLASTICS/INDUSTRIES, INC.  
 4 PASSAIC STREET  
 WOOD-RIDGE, NJ 07075  
 1-800-543-3217

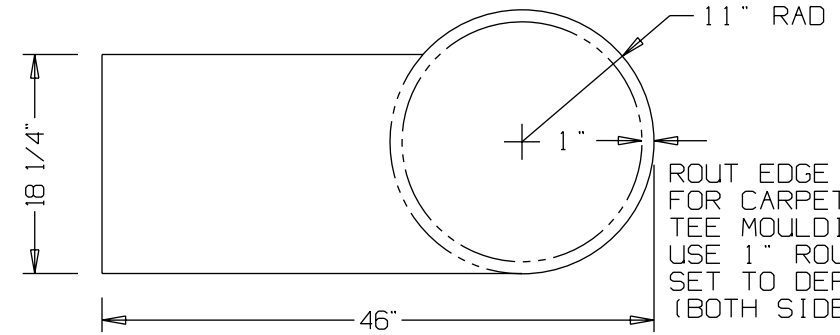
CENTER SLOT FOR TEE MOULDING INSTALLATION  
 CUT 3/32" WIDE X 3/8" MIN DEPTH

CARPET (BOTH SIDES)  
 1/4" THK X 22" DIA

NOTE: USE MULTIPURPOSE GLUE  
 SUCH AS LIQUID NAILS®  
 TO BOND CARPET  
 & MOULDING

DETAIL A

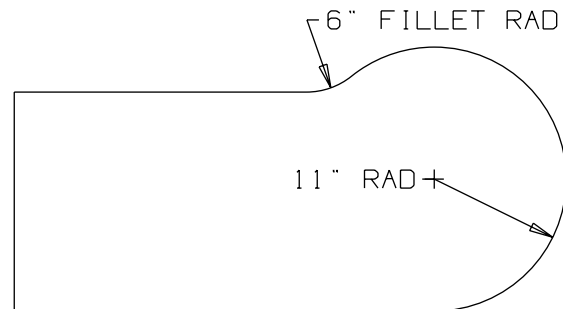
3/4"



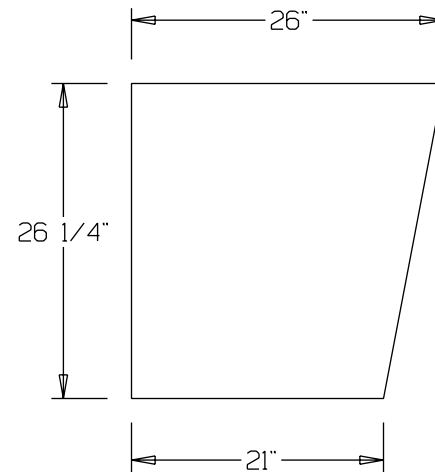
ROUT EDGE IF NECESSARY  
 FOR CARPET TO FIT  
 TEE MOULDING.  
 USE 1" ROUTER BLADE  
 SET TO DEPTH NEEDED.  
 (BOTH SIDES)

DETAIL B

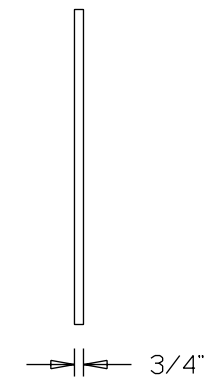
OPTIONAL DIVIDER  
 WITHOUT CARPET



DETAIL C



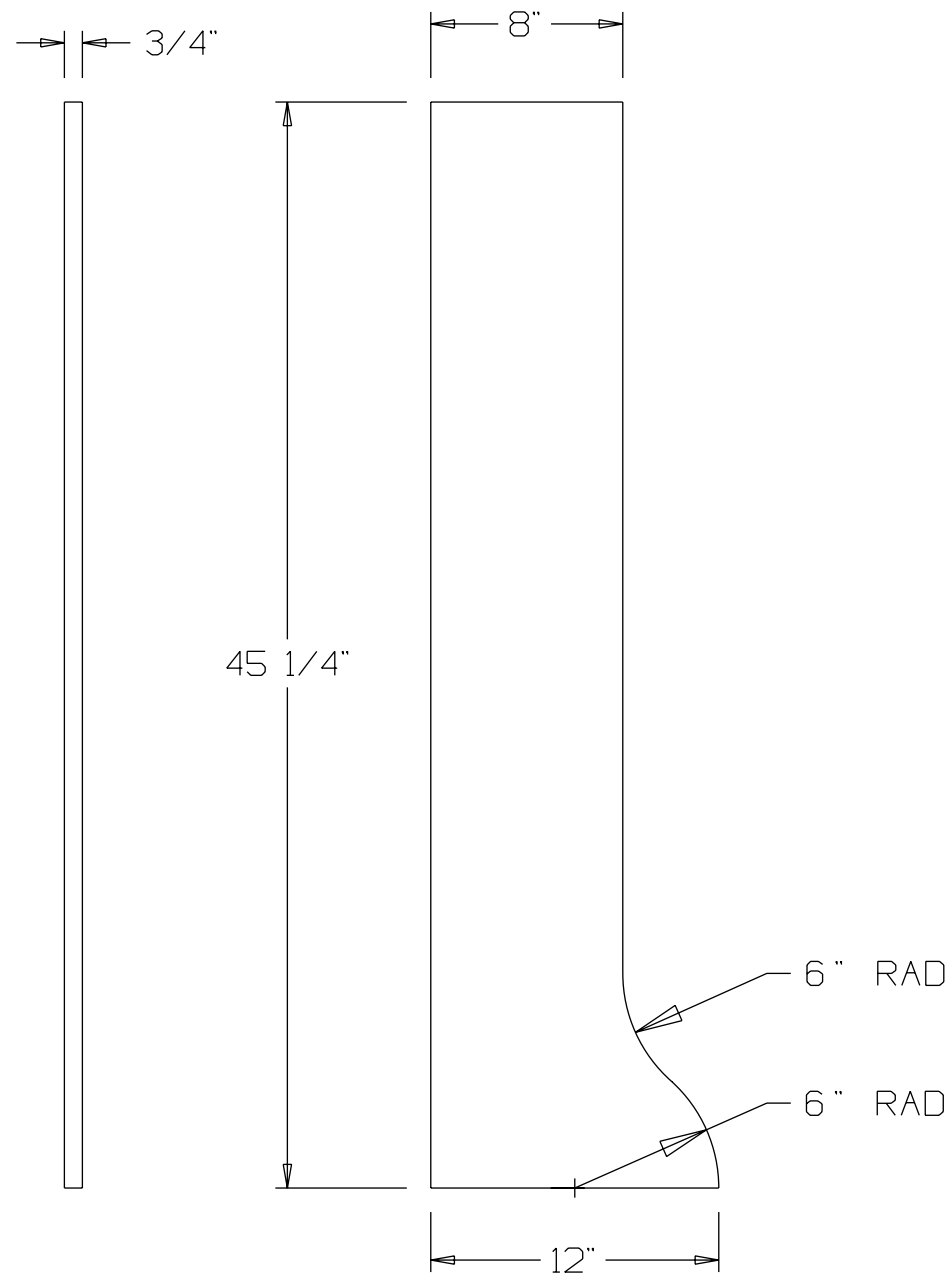
DETAIL D



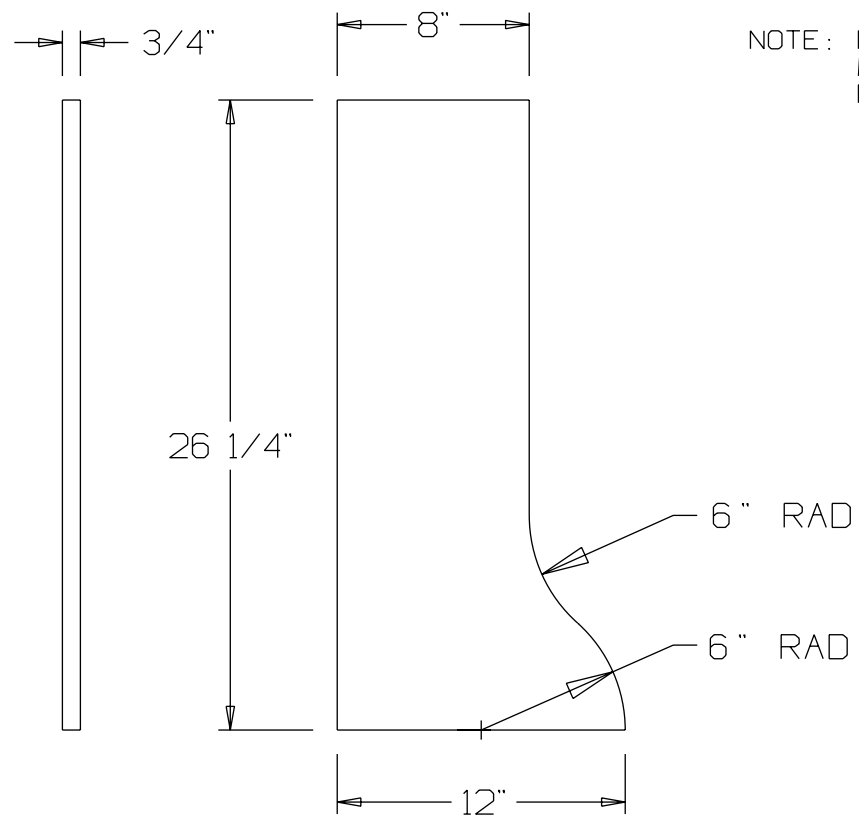
© 1995 Accelerated Christian Education, Inc.  
 All rights reserved. Printed in the United States of America.  
 This publication may not be reproduced in whole or in part  
 in any form or by any means without permission from  
 Accelerated Christian Education, Inc.

**ACCELERATED CHRISTIAN EDUCATION**  
 OPTIONAL STUDENT OFFICE  
 DETAIL DRAWINGS

DWG. NO. 0008	REV. 950331-0	SHEET 3 OF 4
------------------	------------------	-----------------

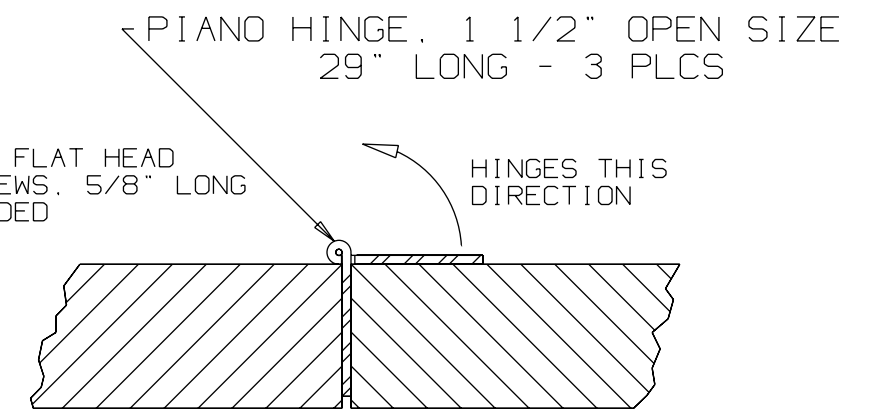


DETAIL E



DETAIL F

NOTE: PHILLIPS FLAT HEAD  
MTG. SCREWS, 5/8" LONG  
RECOMMENDED



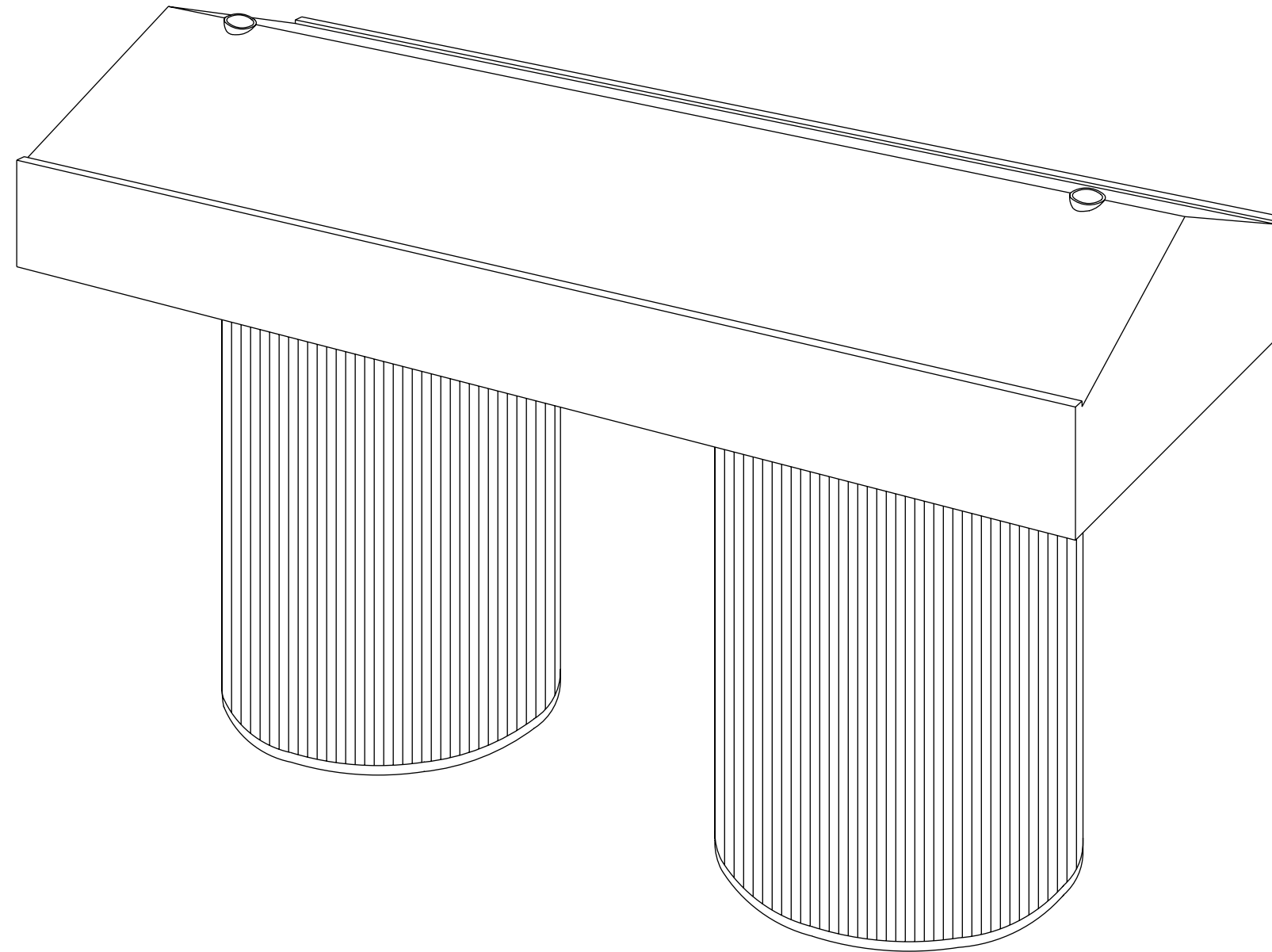
PIANO HINGE MOUNTING

DETAIL G

© 1995 Accelerated Christian Education, Inc.  
All rights reserved. Printed in the United States of America.  
This publication may not be reproduced in whole or in part  
in any form or by any means without permission from  
Accelerated Christian Education, Inc.

**ACCELERATED CHRISTIAN EDUCATION**  
OPTIONAL STUDENT OFFICE  
DETAIL DRAWINGS

DWG. NO. 0008	REV. 950316-0	SHEET 4 OF 4
------------------	------------------	-----------------



PERSPECTIVE PROJECTION

© 1995 Accelerated Christian Education, Inc.  
All rights reserved. Printed in the United States of America.  
This publication may not be reproduced in whole or in part  
in any form or by any means without permission from  
Accelerated Christian Education, Inc.

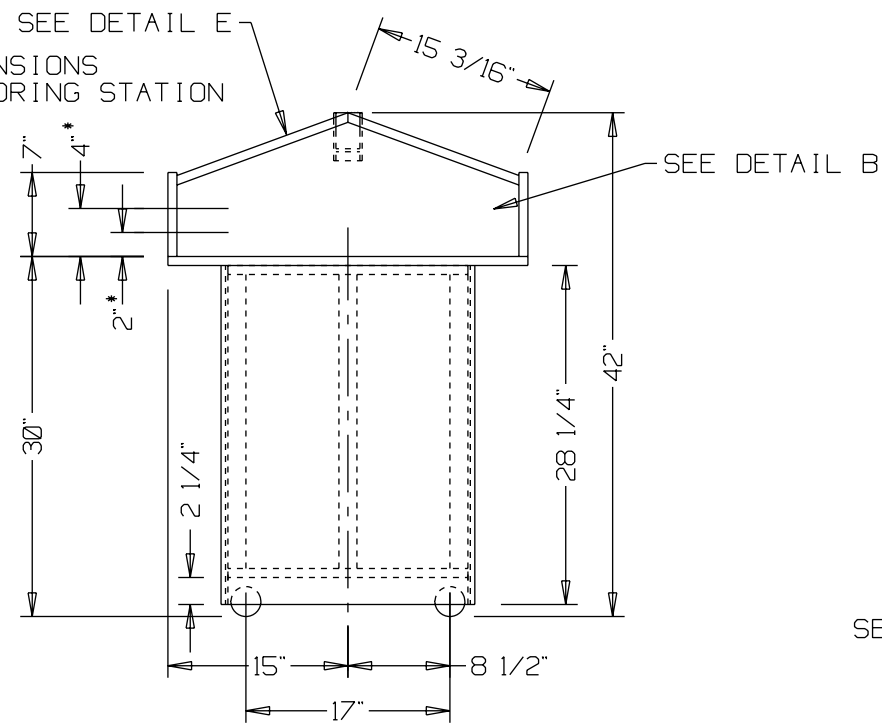
ACCELERATED CHRISTIAN EDUCATION  
OPTIONAL SCORING STATION

DWG. NO. 0009	REV. 950316-0	SHEET 1 OF 3
------------------	------------------	-----------------

NOTES: UNLESS OTHERWISE SPECIFIED,  
FASTEN ALL PARTS WITH  
1 1/4" DRYWALL SCREWS

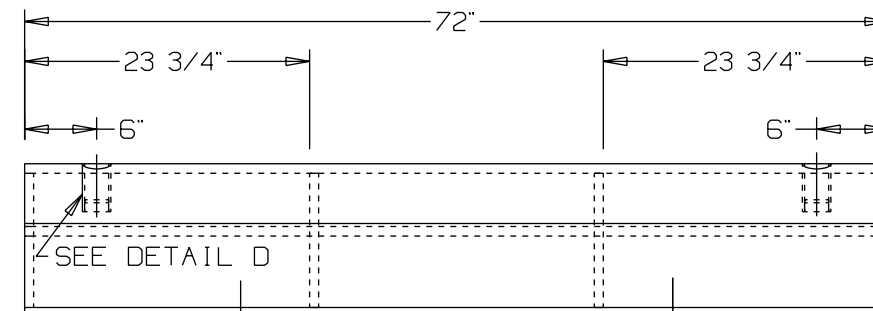
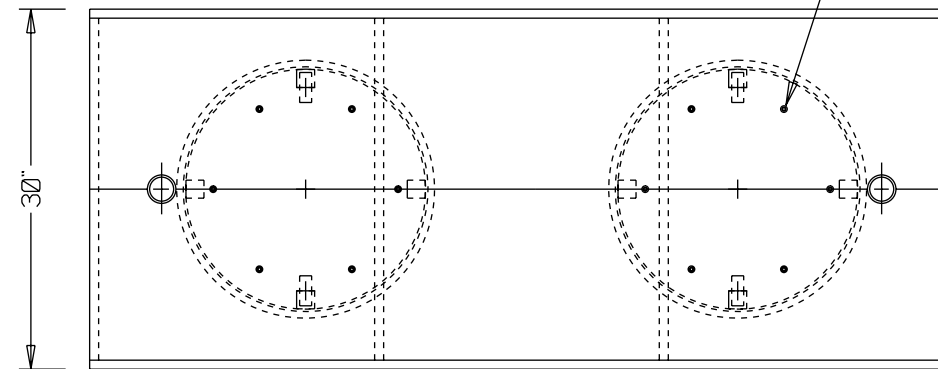
MULTIPURPOSE GLUE SUCH AS  
LIQUID NAILS® MAY BE USED ON  
ALL JOINTS

\*OPTIONAL DIMENSIONS  
FOR SHORTER SCORING STATION

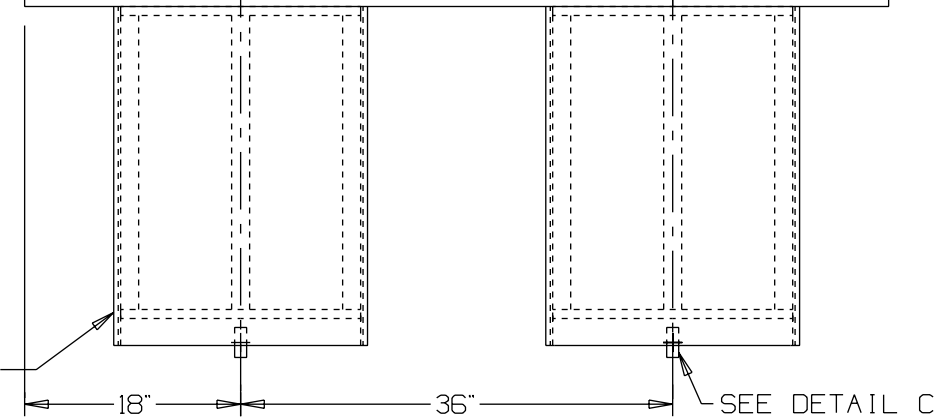


MOUNT LEGS TO TABLE BEFORE  
MOUNTING SCORING SURFACE

(6) 1/4" X 1 1/2" LAG SCREWS & WASHERS  
EQUALLY SPACED EACH LEG



SEE DETAIL A



© 1995 Accelerated Christian Education, Inc.  
All rights reserved. Printed in the United States of America.  
This publication may not be reproduced in whole or in part  
in any form or by any means without permission from  
Accelerated Christian Education, Inc.

ACCELERATED CHRISTIAN EDUCATION  
OPTIONAL SCORING STATION

DWG. NO. 0009	REV. 950328-0	SHEET 2 OF 3
------------------	------------------	-----------------

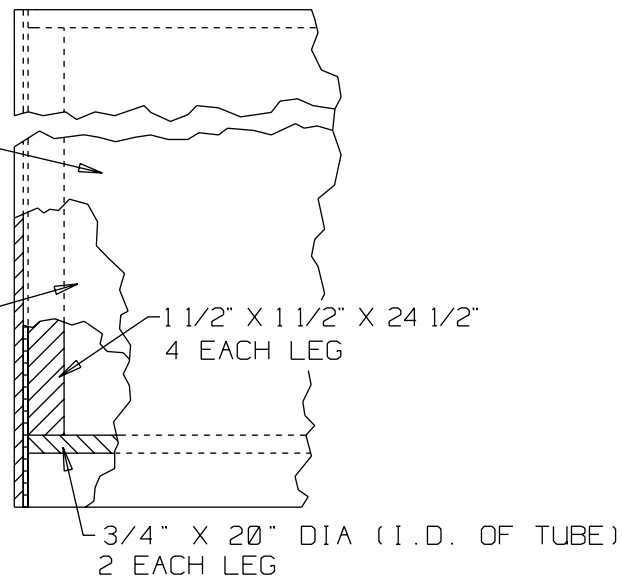
TAMBOUR  
 64 1/8" LONG  
 28 1/4" WIDE  
 1 EACH LEG

TO ORDER CALL:  
 OUTWATER PLASTICS/IND.  
 4 PASSAIC ST.  
 WOOD-RIDGE, NJ 07075  
 1-800-543-3217

COLUMN TUBE  
 20" DIA ID  
 28 1/4" LONG  
 1 EACH LEG

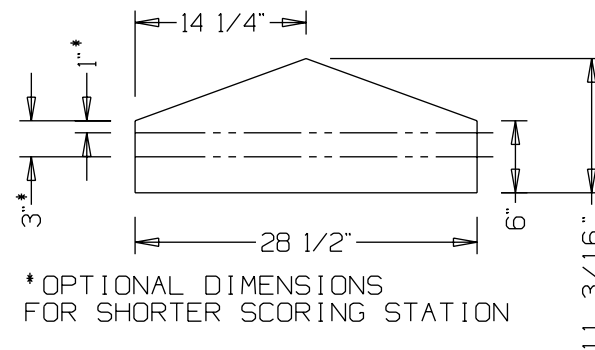
CALL FOR DISTRIBUTOR INFO.:  
 JEFFERSON-SMURFITT MFG. CO.  
 1-800-343-4616

OR  
 SONOCO MFG. CO.  
 1-800-532-8248

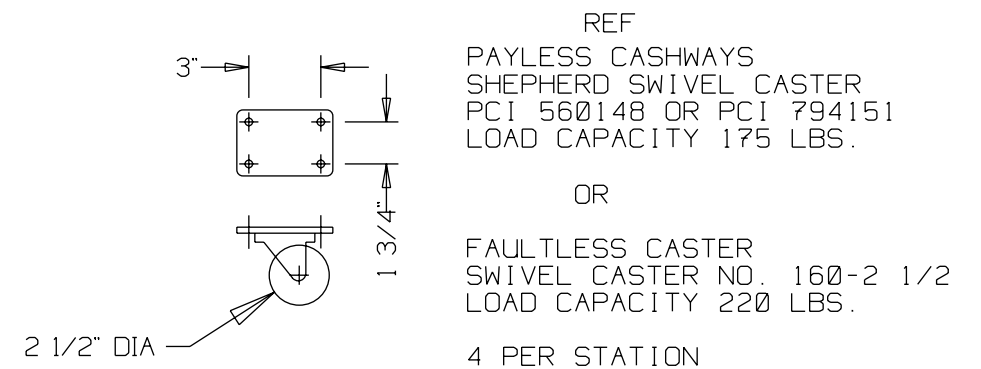


DETAIL A

SCORING SURFACE  
 SUPPORT



DETAIL B

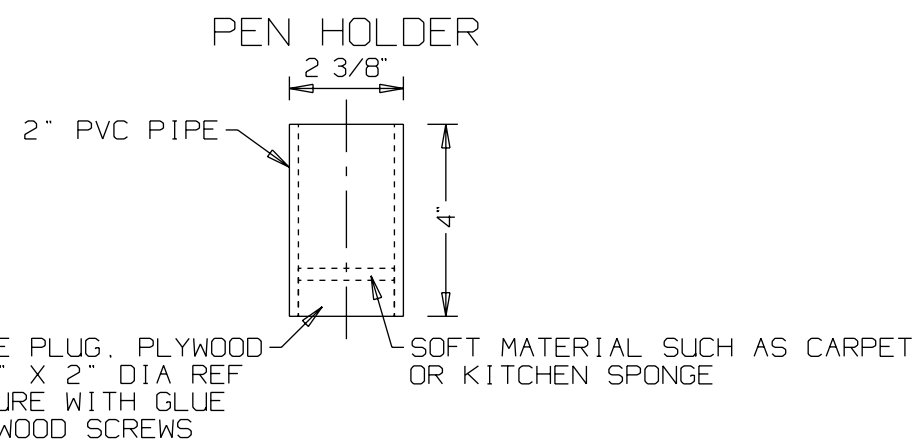


DETAIL C

REF  
 PAYLESS CASHWAYS  
 SHEPHERD SWIVEL CASTER  
 PCI 560148 OR PCI 794151  
 LOAD CAPACITY 175 LBS.

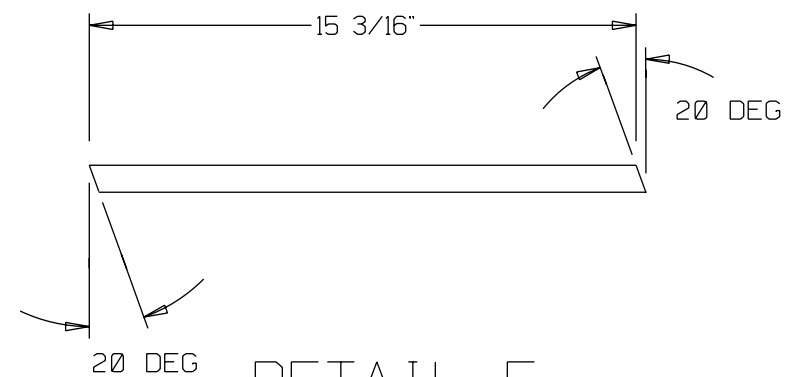
OR  
 FAULTLESS CASTER  
 SWIVEL CASTER NO. 160-2 1/2  
 LOAD CAPACITY 220 LBS.

4 PER STATION



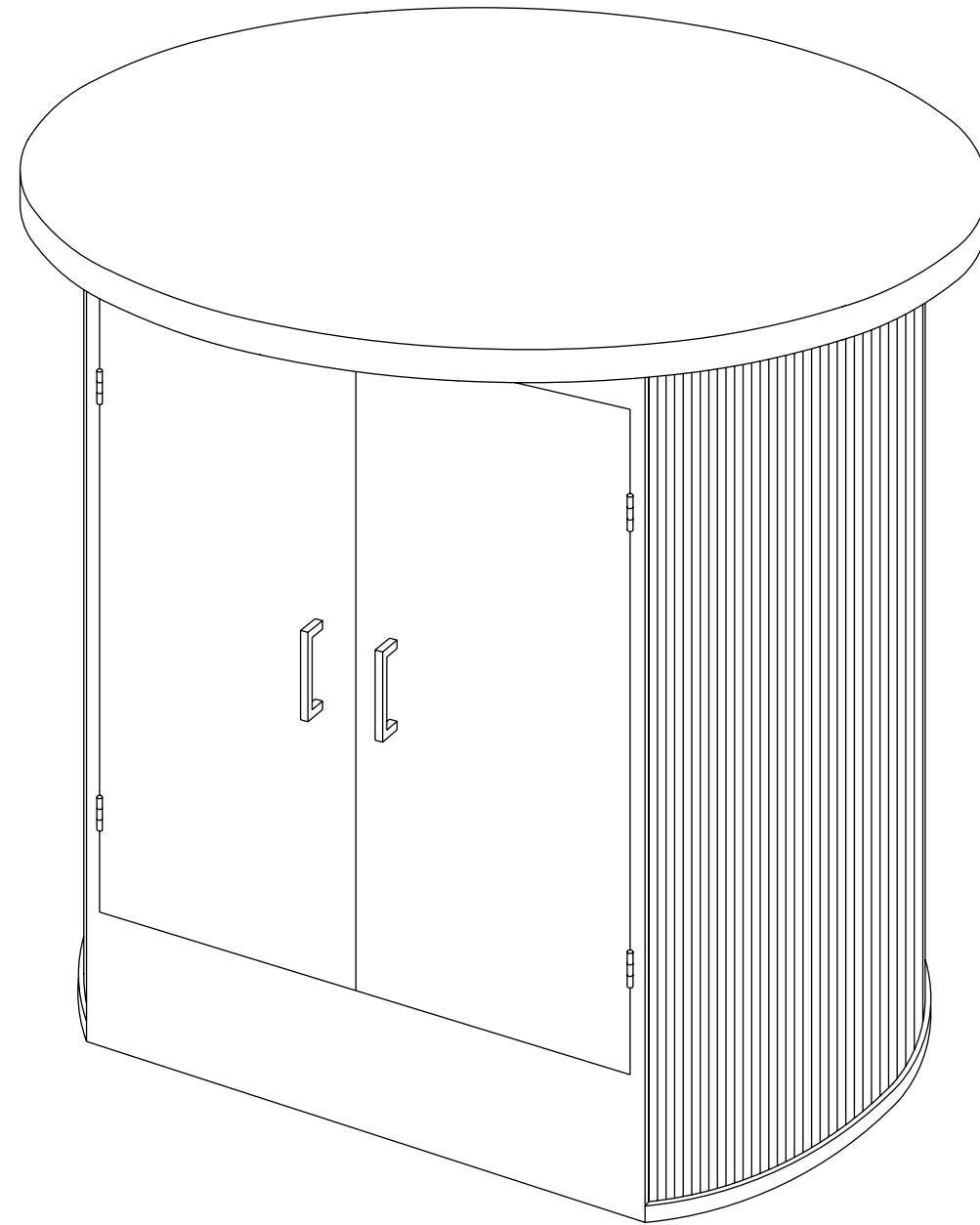
DETAIL D

DETAIL OF CUTS  
 FOR SCORING STATION  
 SURFACE



DETAIL E

© 1995 Accelerated Christian Education, Inc. All rights reserved. Printed in the United States of America. This publication may not be reproduced in whole or in part in any form or by any means without permission from Accelerated Christian Education, Inc.		
<b>ACCELERATED CHRISTIAN EDUCATION</b> OPTIONAL SCORING STATION DETAIL DRAWINGS		
DWG. NO. 0009	REV. 950316-0	SHEET 3 OF 3

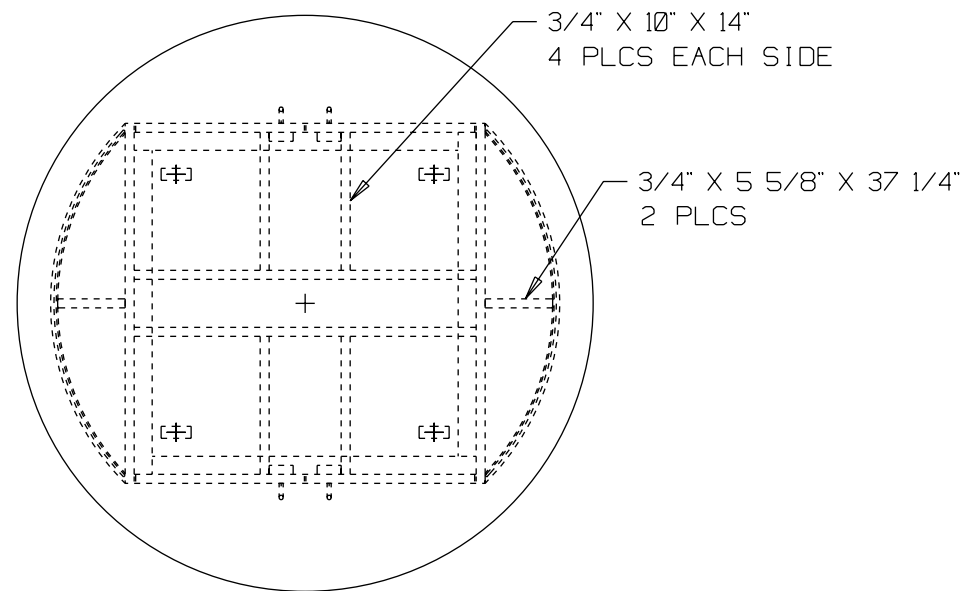


PERSPECTIVE PROJECTION

© 1995 Accelerated Christian Education, Inc.  
All rights reserved. Printed in the United States of America.  
This publication may not be reproduced in whole or in part  
in any form or by any means without permission from  
Accelerated Christian Education, Inc.

ACCELERATED CHRISTIAN EDUCATION  
OPTIONAL SUPERVISOR'S  
STATION

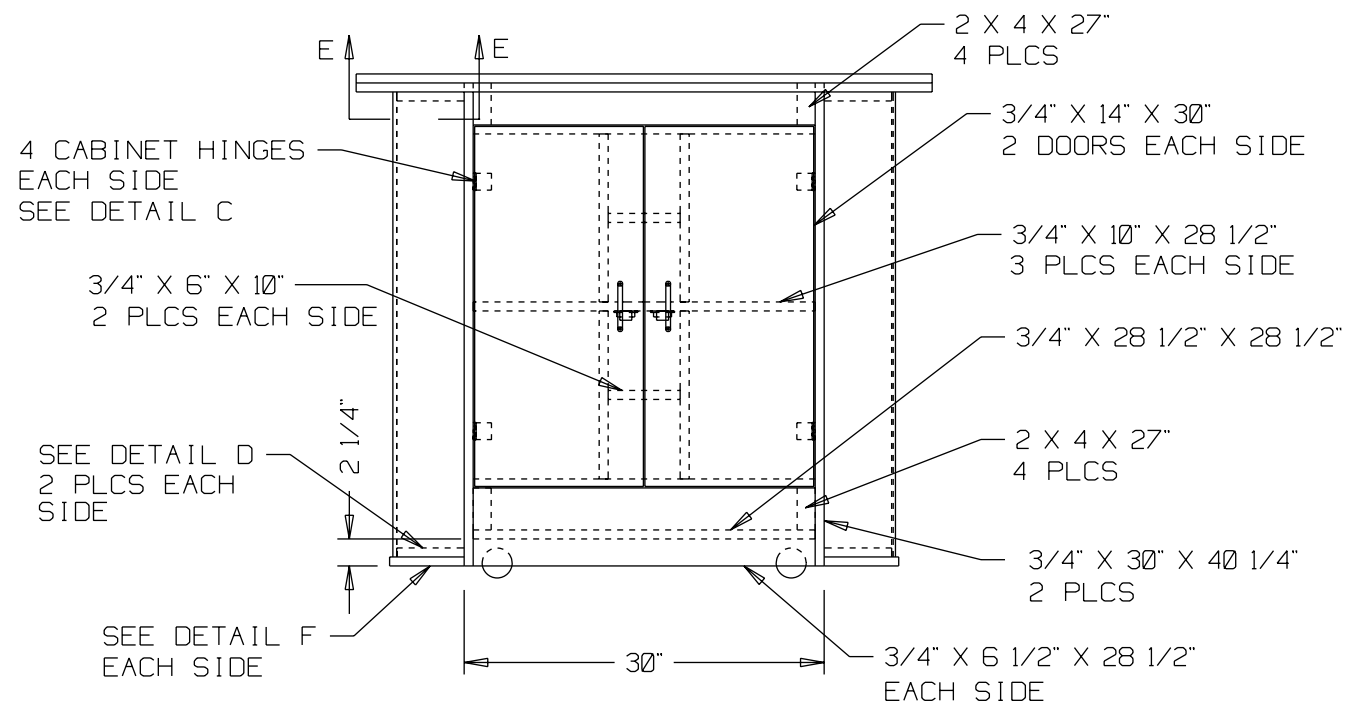
DWG. NO. 0010	REV. 950316-0	SHEET 1 OF 3
------------------	------------------	-----------------



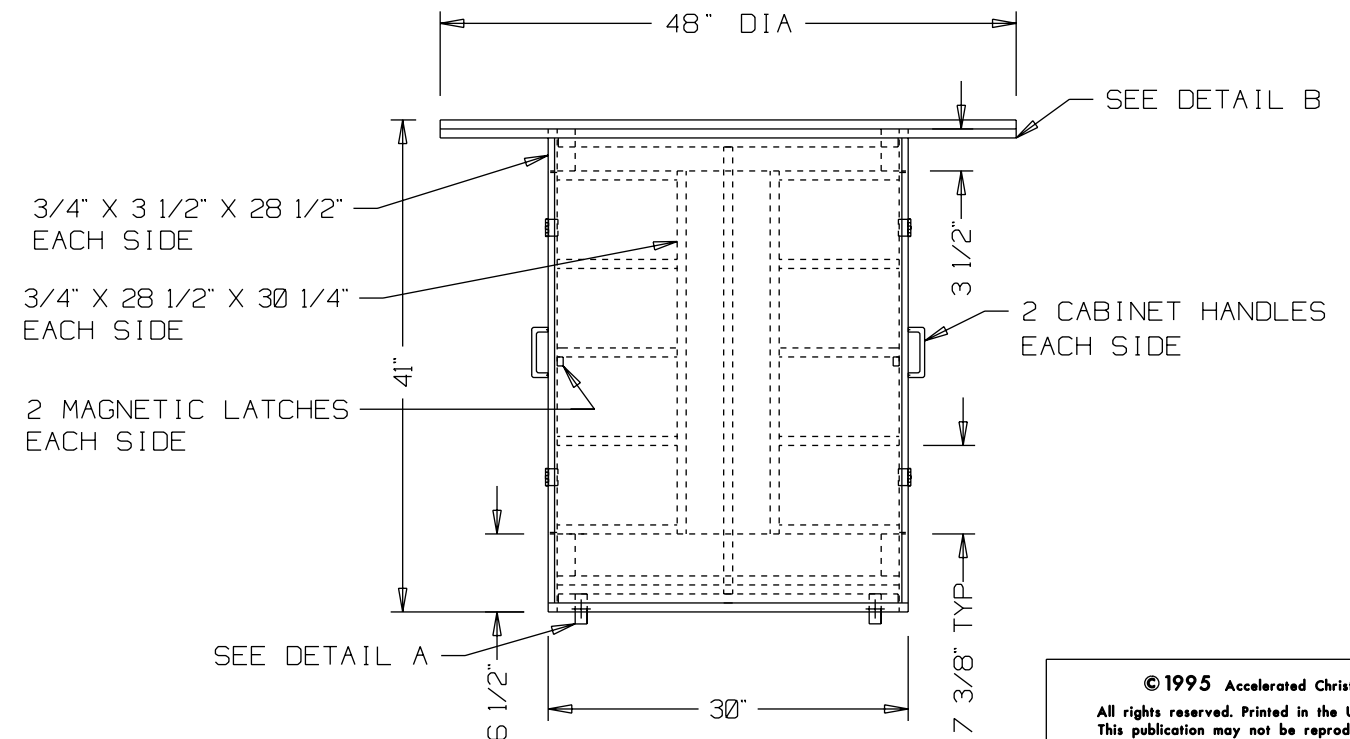
TOP VIEW

NOTES: UNLESS OTHERWISE SPECIFIED,  
FASTEN ALL PARTS WITH  
1 1/4" DRYWALL SCREWS

MULTIPURPOSE GLUE SUCH AS  
LIQUID NAILS® MAY BE USED ON  
JOINTS

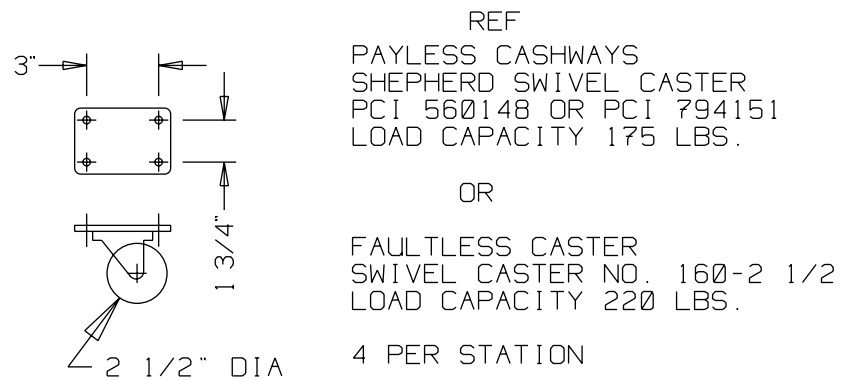


FRONT VIEW

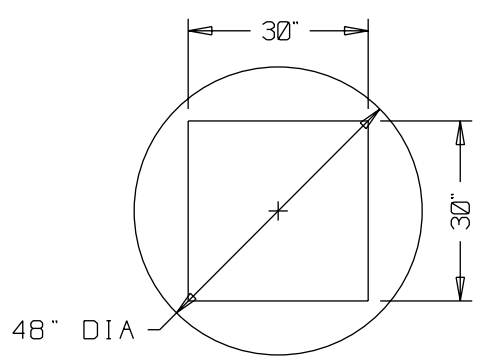


SIDE VIEW

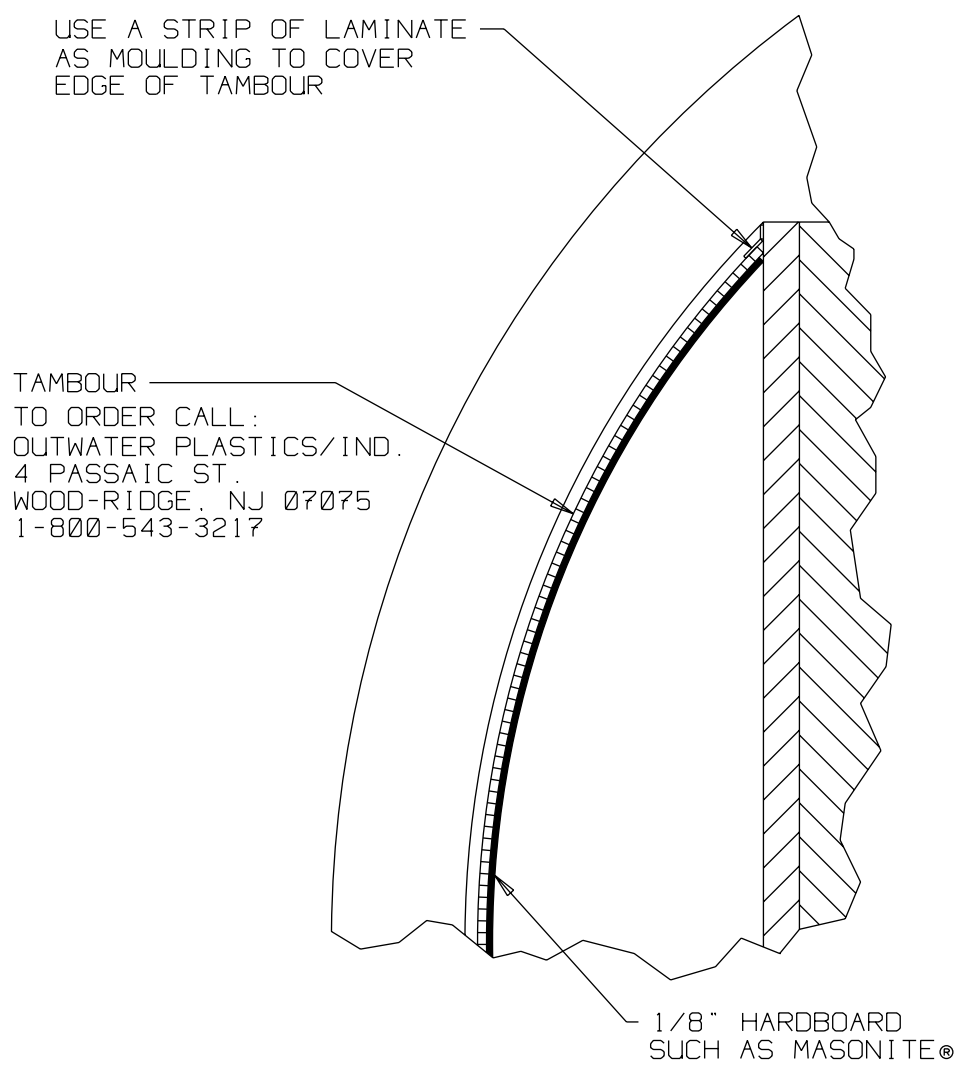
© 1995 Accelerated Christian Education, Inc. All rights reserved. Printed in the United States of America. This publication may not be reproduced in whole or in part in any form or by any means without permission from Accelerated Christian Education, Inc.		
<b>ACCELERATED CHRISTIAN EDUCATION OPTIONAL SUPERVISOR'S STATION</b>		
DWG. NO. 0010	REV. 950316-0	SHEET 2 OF 3



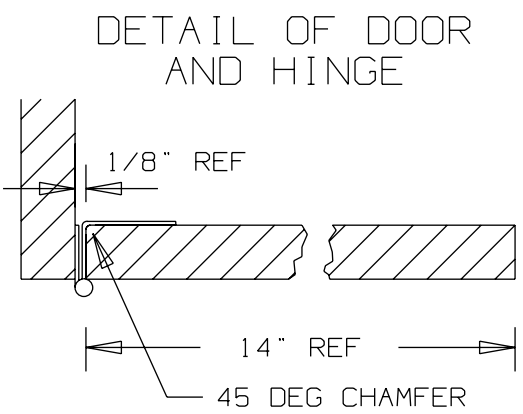
DETAIL A



DETAIL B

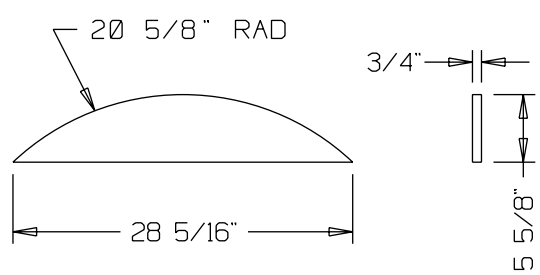


SECTION E-E

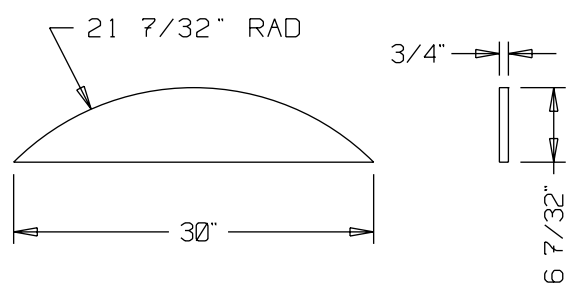


NOTE: CABINET HINGE SUCH AS AMEROCK® #BP5988-M3

DETAIL C



DETAIL D



DETAIL F

© 1995 Accelerated Christian Education, Inc.  
All rights reserved. Printed in the United States of America.  
This publication may not be reproduced in whole or in part in any form or by any means without permission from Accelerated Christian Education, Inc.

**ACCELERATED CHRISTIAN EDUCATION**  
OPTIONAL SUPERVISOR'S STATION  
DETAIL DRAWINGS

DWG. NO. 0010	REV. 950316-0	SHEET 3 OF 3
------------------	------------------	-----------------